

1

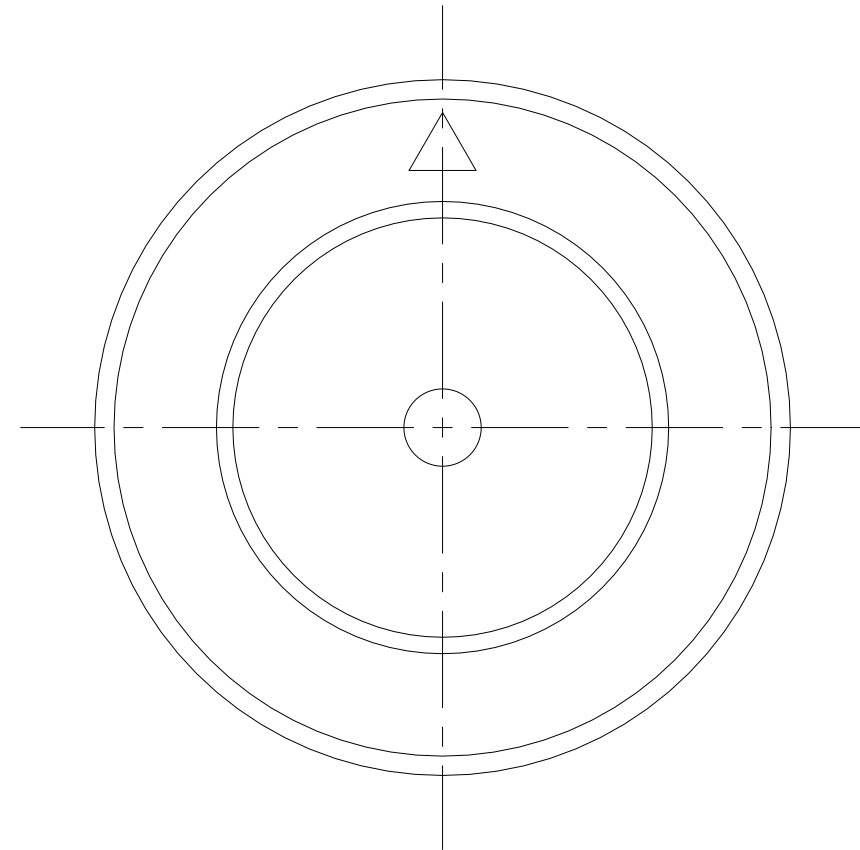
2

3

4

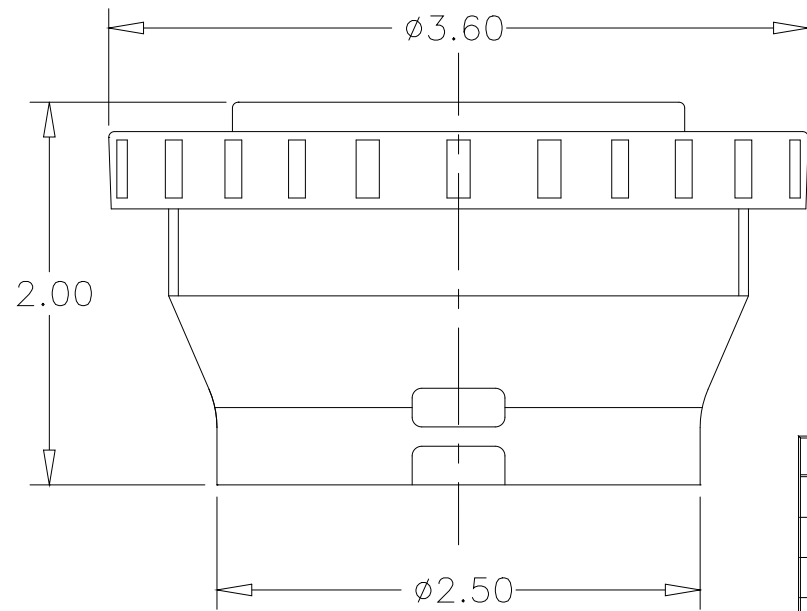
SHEET NO: 1 OF 1	PART NUMBER: 40162-
---------------------	------------------------

PART NO. 40162	REV	REMARKS
0000	B	BLACK
0001	B	ORANGE



NOTES:

1. REPLACEMENT PART FOR BUNN PN. 39430-0000 & PN 40163-0000



**MASTER PRINT**  
 NOC APPROVAL  
 INITIALS: *JS*  
 DATE: 05SEP07

REV	DATE	(ZONE) DESCRIPTION OF CHANGE	BY	NOC
A	07SEP06	RELEASE PER NOC APPROVAL	BL	17530
B	31AUG07	(D1,2) RMVD FROM TOP "OPEN", "CLOSE"	BL	17956
B	"	& ARROWS.	"	"

MATERIAL: SEE DETAILS		UNLESS OTHERWISE SPECIFIED	
FINISH:		DIM. TOL. _____ in. _____ mm	
RELATED SPECIFICATIONS:		ONE PLACE ± _____ ± _____	
THIRD ANGLE PROJECTION IS USED		TWO PLACE ± _____ ± _____	
		THREE PLACE ± _____ ± _____	
		ANGLES ± _____ ± _____	
BUNN-O-MATIC CORPORATION		SCALE: 1/1	
SPRINGFIELD, ILLINOIS		> < INDICATES AUDIT PARAMETER	
DIMS. APPLY:		( ) INDICATES REFERENCE DIMENSION	
<input type="checkbox"/> BEFORE FINISH		DRAWN BY: B. LENGIEWICZ	
<input type="checkbox"/> AFTER FINISH		DATE: 14JUN07	
<input checked="" type="checkbox"/> REFERENCE ONLY		CHECKED BY: <i>WESchafer</i>	
WHERE USED:		DATE: 04SEP07	
NEXT ASSY:		DSGN APVD:	
SIM. TO:		DESCP: LID, AIRPOT	
OTHER:		1.9 L	
		SHEET NO: 1 OF 1	
		PART NUMBER: 40162-	
		REV: SEE CHART	

1 inch      30 mm

1

2

3

4