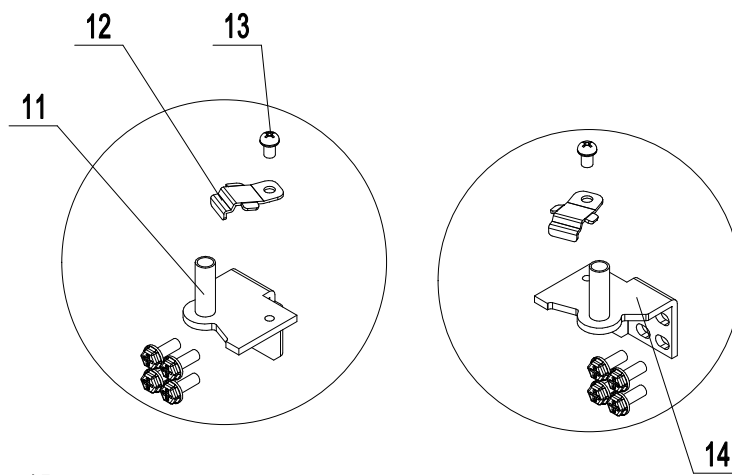
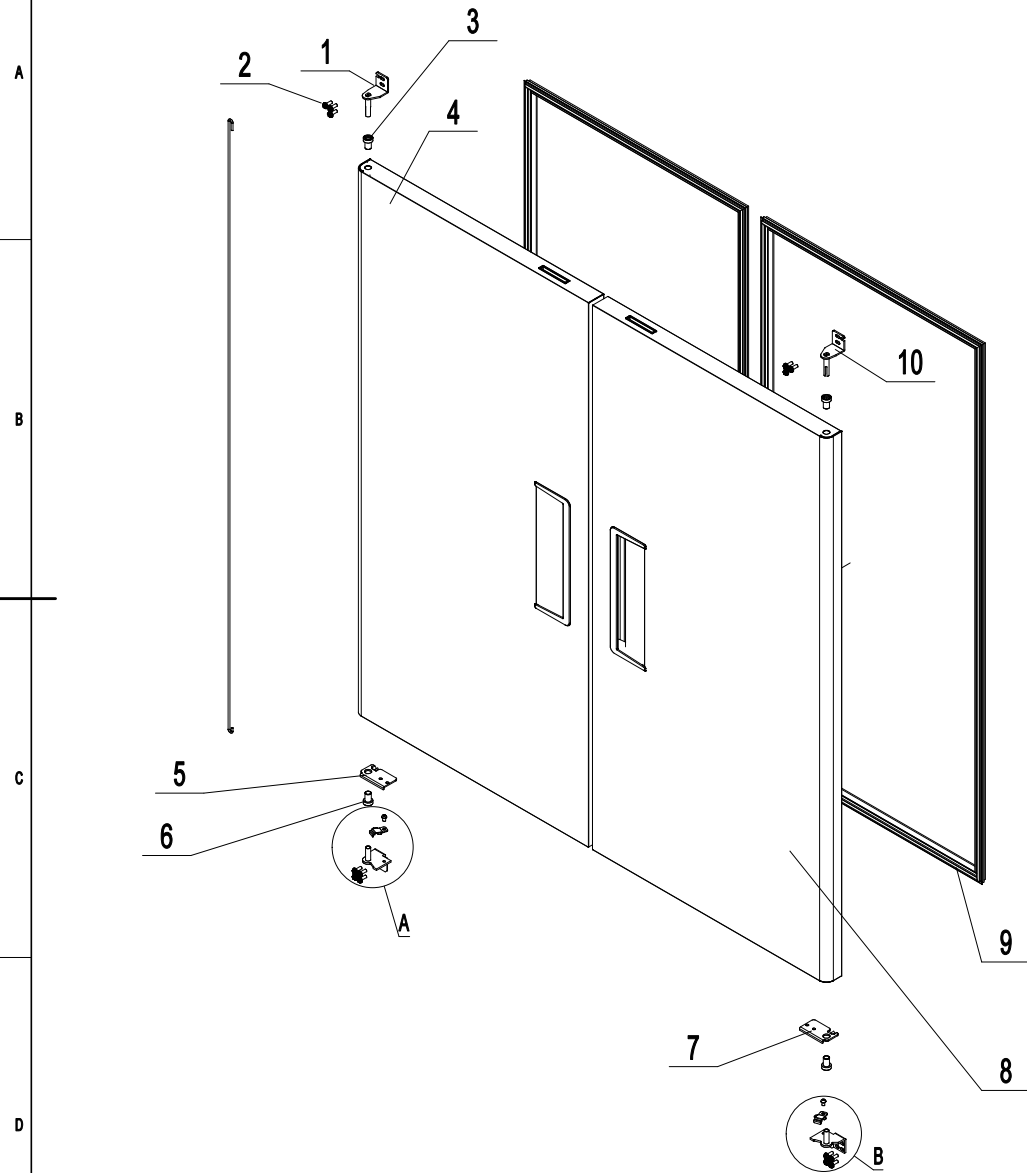


| Item # | Part #   | Quantity | Description                | Item # | Part #   | Quantity | Description                        | Item # | Part #   | Quantity | Description                    |
|--------|----------|----------|----------------------------|--------|----------|----------|------------------------------------|--------|----------|----------|--------------------------------|
| 27     | W0409882 | 1        | Controller Cover           | 18     | W0409883 | 1        | Controller Bracket                 | 9      | W0210539 | 1        | Low Pressure Coil Back to Comp |
| 26     | 85031901 | 1        | Wind Deflector Unit        | 17     | W0410447 | 1        | Bottom Frame Cover                 | 8      | B0604421 | 2        | 4" Caster With Brake           |
| 25     | W0399115 | 1        | LED Power                  | 16     | W0410446 | 2        | Left - Right Frame Cover           | 7      | 85070451 | 1        | Comp & Cond Assembly           |
| 24     | W0409081 | 1        | Drain Protector            | 15     | W0410448 | 1        | Top Frame Cover                    | 6      | 85030452 | 1        | Shelf Assembly                 |
| 23     | 80011041 | 2        | Back Wind Deflector Stents | 14     | 85041610 | 1        | Left - Top Fastener For Top Panel  | 5      | 85070405 | 1        | Mullion Assembly               |
| 22     | 80021040 | 2        | Back Wind Deflector        | 13     | 85041609 | 1        | Right - Top Fastener For Top Panel | 4      | 85070450 | 1        | Evaporator Assembly            |
| 21     | W0409884 | 1        | Switch Plug                | 12     | W0402634 | 1        | Back Bottom Barrier                | 3      | 85030450 | 1        | Top Panel Assembly             |
| 20     | W0302163 | 1        | Digital Controller         | 11     | 85041801 | 2        | Fastener For Bottom Panel          | 2      | 85030402 | 1        | Door Assembly                  |
| 19     | W0308019 | 1        | Power Switch               | 10     | B0604413 | 2        | 4" Caster Without Brake            | 1      | 85030420 | 1        | Bottom Panel                   |

85030402



| Item # | Part #   | Quantity | Description                |
|--------|----------|----------|----------------------------|
| 15     | W0604401 | 2        | Door Spring Bar            |
| 14     | W0604024 | 1        | Right - Bottom Hinge       |
| 13     | B0599270 | 2        | SS Screw M6x8              |
| 12     | W0604038 | 2        | Door Stopper - Bottom      |
| 11     | W0604025 | 1        | Left - Bottom Hinge        |
| 10     | W0604022 | 1        | Right - Top Hinge          |
| 9      | W0404601 | 2        | Door Gasket                |
| 8      | 85040201 | 1        | Right Door                 |
| 7      | W0604030 | 1        | Door Brake - Right         |
| 6      | W0409843 | 2        | Door Shaft Sleeve - Bottom |
| 5      | W0604031 | 1        | Door Brake - Left          |
| 4      | 85040202 | 1        | Left Door                  |
| 3      | W0409842 | 2        | Door Shaft Sleeve - Top    |
| 2      | B0506044 | 12       | Screw M6x16                |
| 1      | W0604023 | 1        | Left - Top Hinge           |

1

2

3

4

5

6

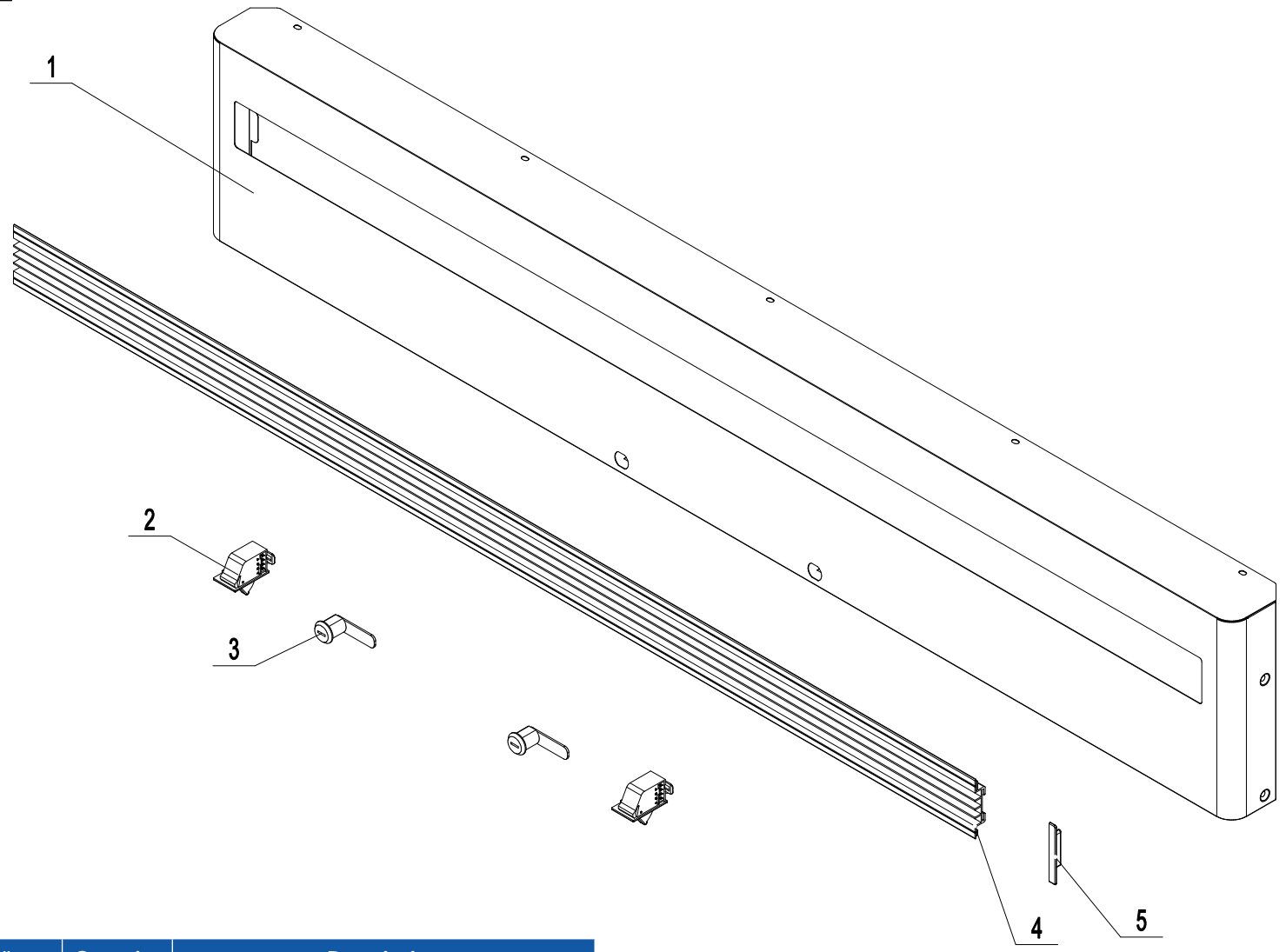
85030450

A

B

C

D



| Item # | Part #   | Quantity | Description       |
|--------|----------|----------|-------------------|
| 5      | W0409272 | 2        | Black Grille Clip |
| 4      | W0410352 | 1        | Black Grille      |
| 3      | W0604007 | 2        | Lock              |
| 2      | W0308012 | 2        | Door Switch       |
| 1      | 85031422 | 1        | Top Panel         |

1

2

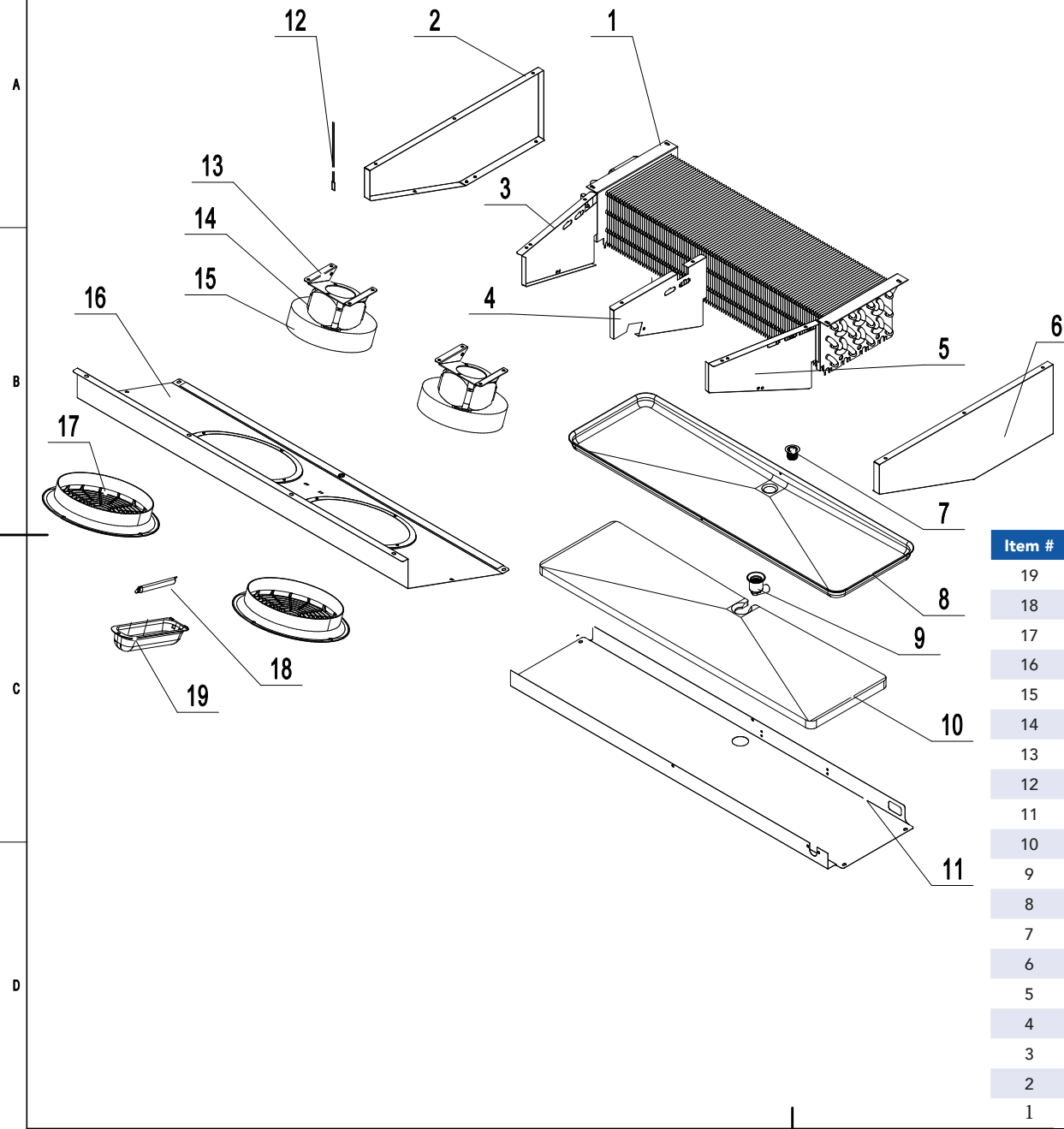
3

4

5

6

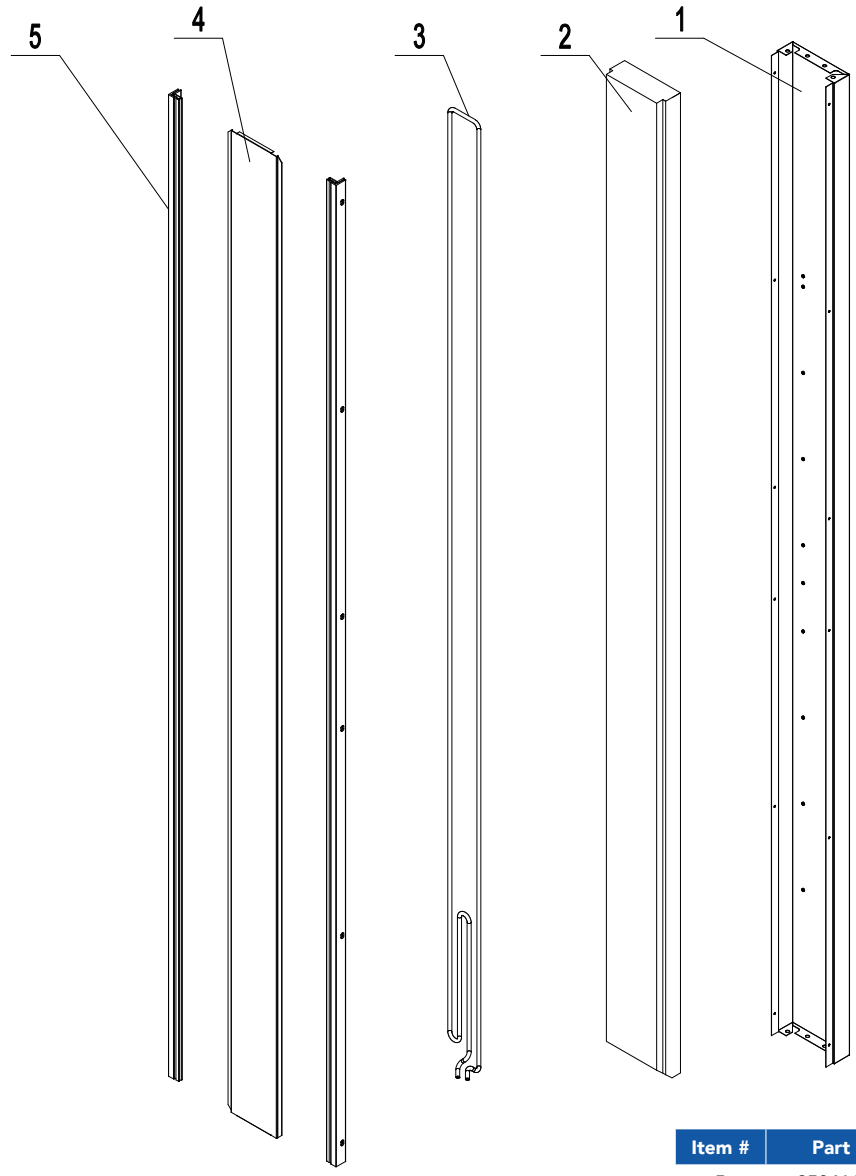
85070450



| Item # | Part #     | Quantity | Description            |
|--------|------------|----------|------------------------|
| 19     | W0409863   | 1        | Lamp Cover             |
| 18     | W0304086   | 1        | Lamp                   |
| 17     | W0409080   | 2        | Evap Fan Motor Cover   |
| 16     | 8114120201 | 1        | Evap Front Cover       |
| 15     | W0301059   | 2        | Evap Fan Blade         |
| 14     | W0301904   | 2        | Evap Fan Motor         |
| 13     | 80021501   | 2        | Evap Fan Bracket       |
| 12     | W0302304   | 1        | Room Temp Probe        |
| 11     | 8114120101 | 1        | Drain Pan Cover        |
| 10     | W0803012   | 1        | Drain Pan Foam         |
| 9      | W0409858   | 1        | Drain Hose Connector A |
| 8      | 80022003   | 1        | Drain Pan              |
| 7      | W0409859   | 1        | Drain Hose Connector B |
| 6      | 80021207   | 1        | Evap Right Cover       |
| 5      | 80021204   | 1        | Right Air Lane Cover   |
| 4      | 80021205   | 1        | Middle Air Lane Cover  |
| 3      | 80021203   | 1        | Left Air Lane Cover    |
| 2      | 80021206   | 1        | Evap Left Cover        |
| 1      | W0202118   | 1        | Evaporator             |

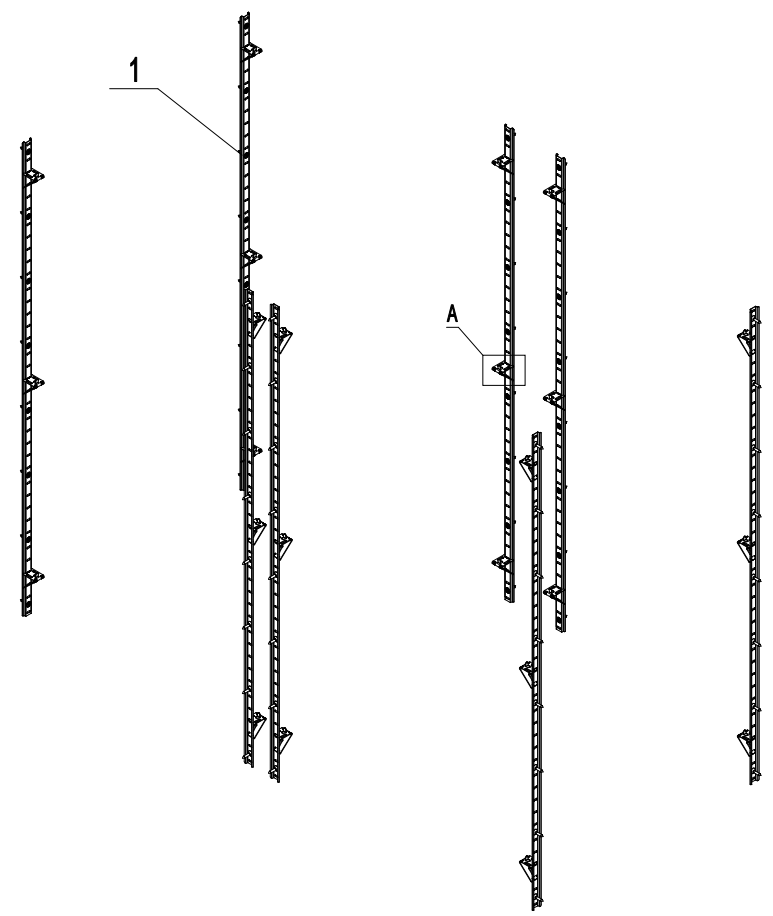
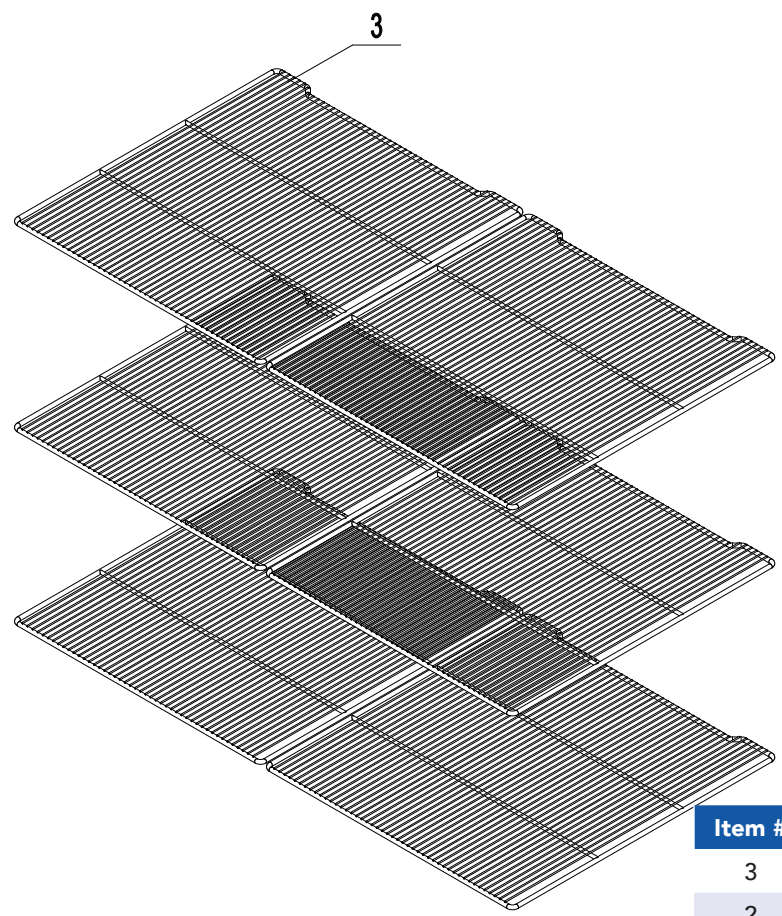
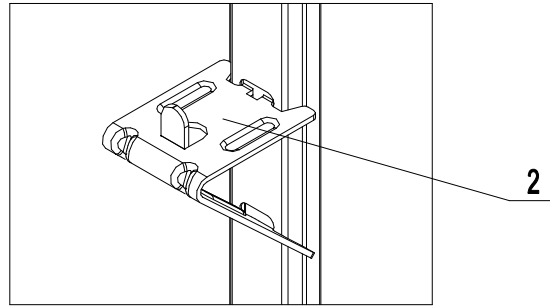
85070405

A  
B  
C  
D



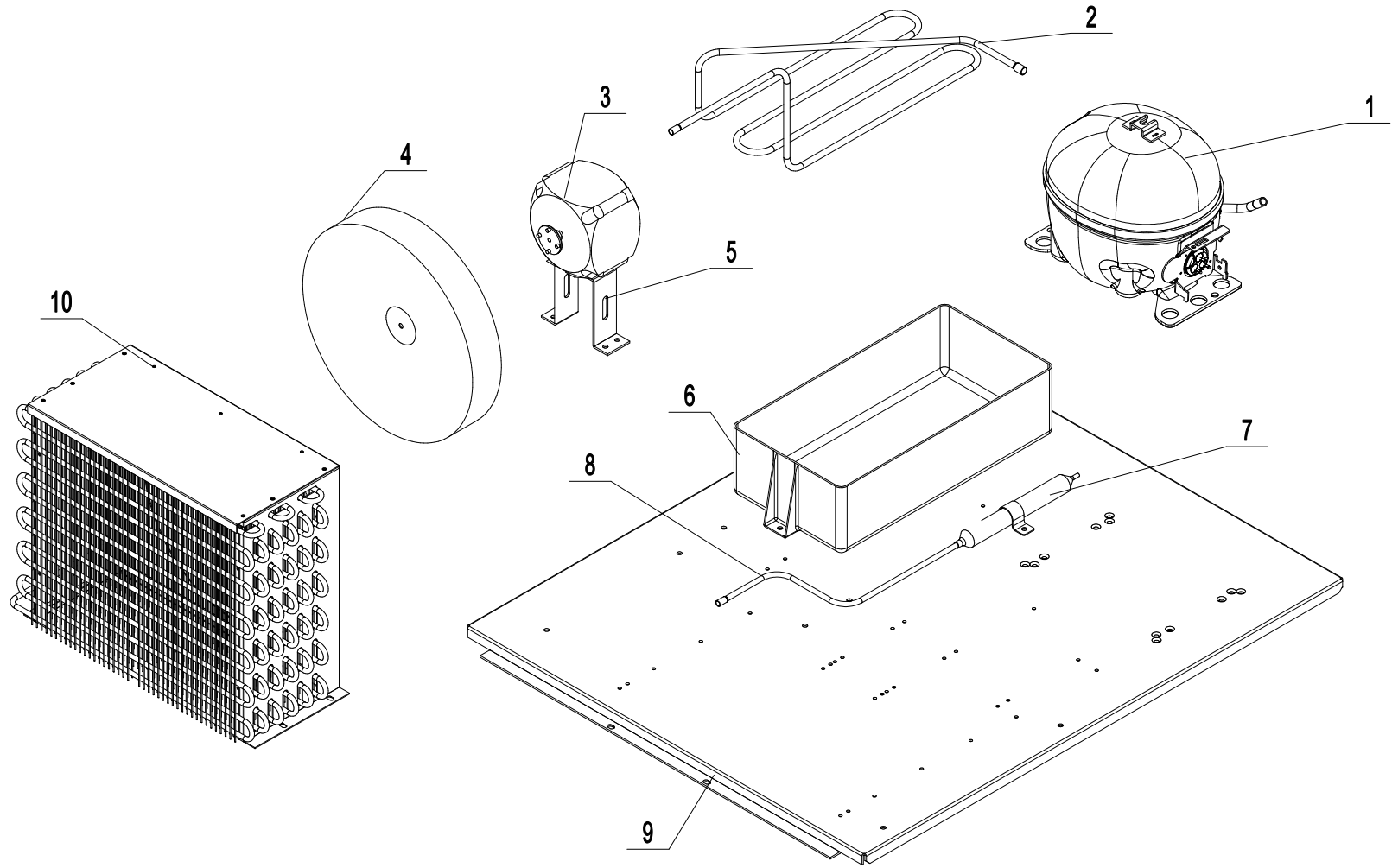
| Item # | Part #   | Quantity | Description               |
|--------|----------|----------|---------------------------|
| 5      | 85041111 | 1        | Mullion Front Cover       |
| 4      | W0410976 | 2        | Mullion Plastic Connector |
| 3      | W0310110 | 1        | Mullion Heater            |
| 2      | W0499086 | 1        | Mullion Foam              |
| 1      | 85041110 | 1        | Mullion Back Cover        |

85030452



| Item # | Part #   | Quantity | Description        |
|--------|----------|----------|--------------------|
| 3      | W0402387 | 6        | Shelf              |
| 2      | 66490313 | 24       | Shelf Support Clip |
| 1      | 80037410 | 8        | Pilaster For Shelf |

85070451



| Item # | Part #   | Quantity | Description                  | Item # | Part #   | Quantity | Description           |
|--------|----------|----------|------------------------------|--------|----------|----------|-----------------------|
| 10     | W0203074 | 1        | Condenser                    | 5      | 80061601 | 1        | Condenser Fan Blade   |
| 9      | 85031804 | 1        | Compressor Board             | 4      | W0301061 | 1        | Condenser Fan Bracket |
| 8      | W0210541 | 1        | Connecting Coil to Condenser | 3      | W0301905 | 1        | Condenser Fan         |
| 7      | W0204101 | 1        | Dry Filter                   | 2      | W0210540 | 1        | High Pressure Coil    |
| 6      | W0411152 | 1        | Plastic Drain Pan            | 1      | W0201164 | 1        | Compressor            |