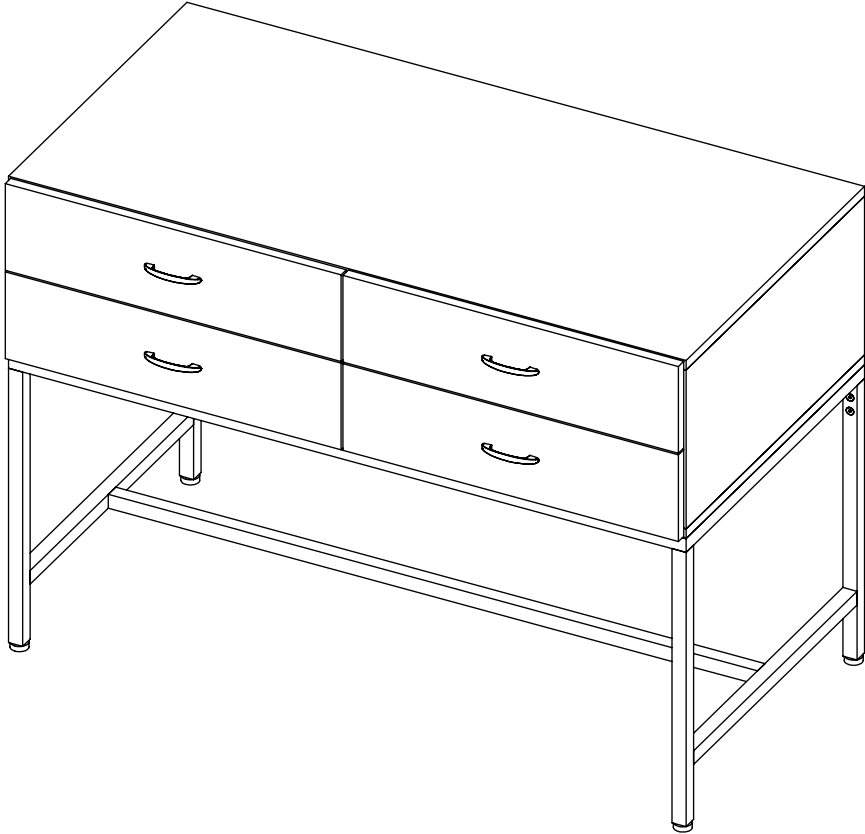


# CANNABIS DISPLAY STORAGE CABINET

ITEM # DDKIT2B, DDKIT2W, DDKIT2SC



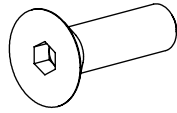
## INCLUDED HARDWARE



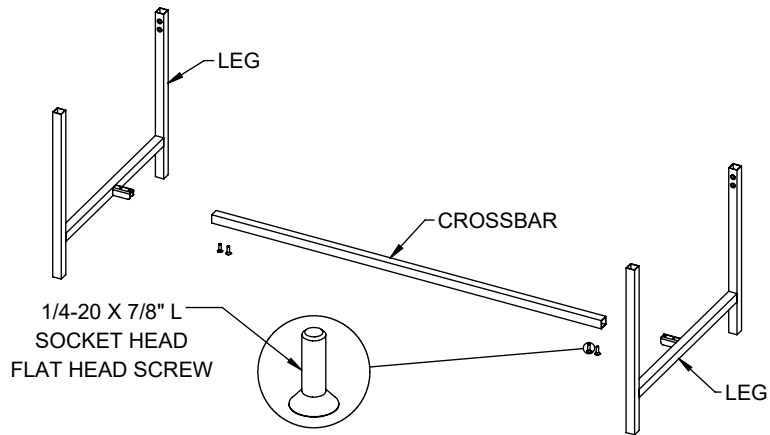
ALLEN KEY

**1**

MOUNT THE CROSSBAR TO THE LEGS USING (4) 1/4-20 X 7/8" L SOCKET HEAD FLAT HEAD SCREWS.

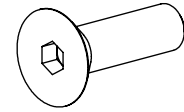


**4X**  
1/4-20 X 7/8" L  
SOCKET HEAD FLAT HEAD SCREWS

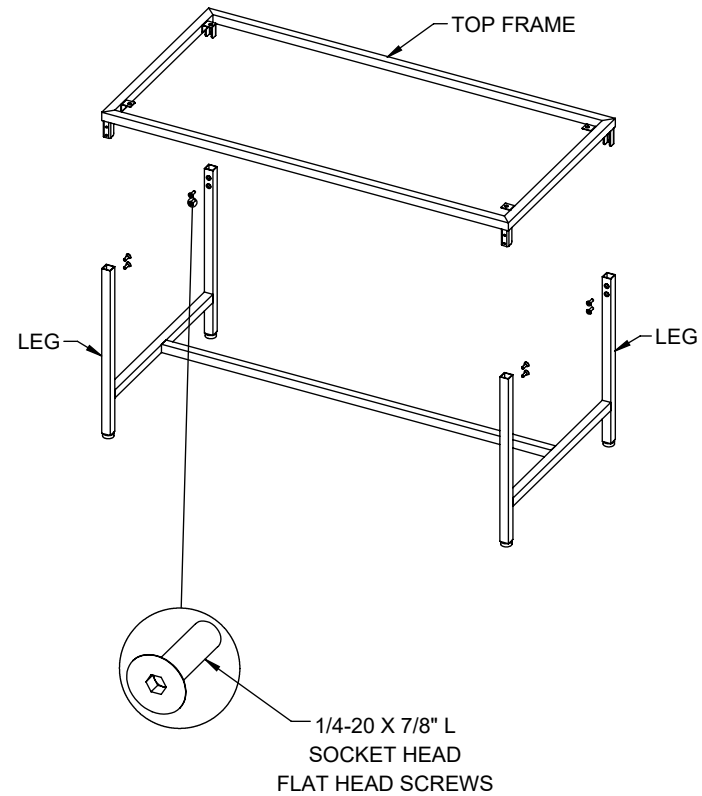


**2**

MOUNT THE TOP FRAME TO THE LEGS USING (8) 1/4-20 X 7/8" L SOCKET HEAD FLAT HEAD SCREWS.

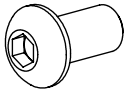


**8X**  
1/4-20 X 7/8" L  
SOCKET HEAD FLAT HEAD SCREWS



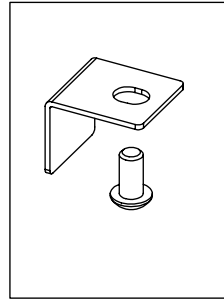
**3**

MOUNT STORAGE CABINET TO METAL FRAME.

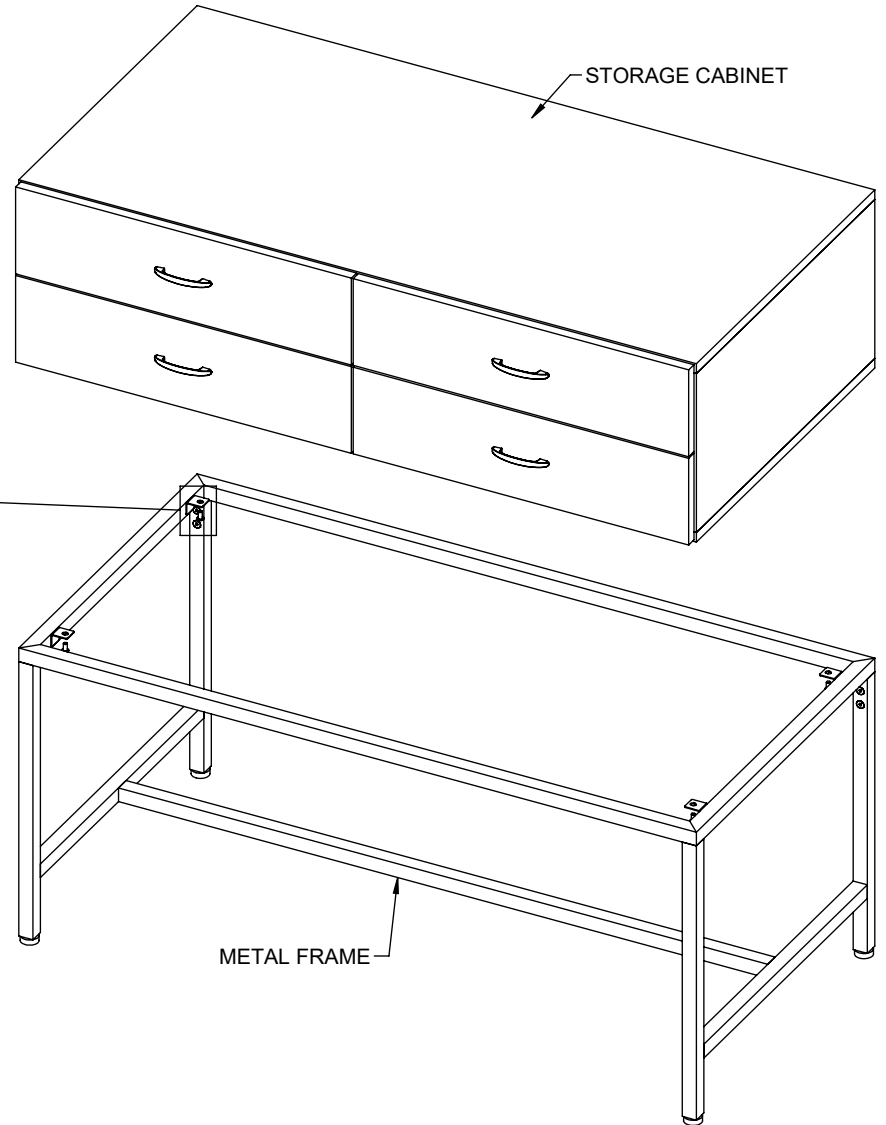


**4X**

1/4-20 X 1/2" L  
SOCKET HEAD CAP SCREWS

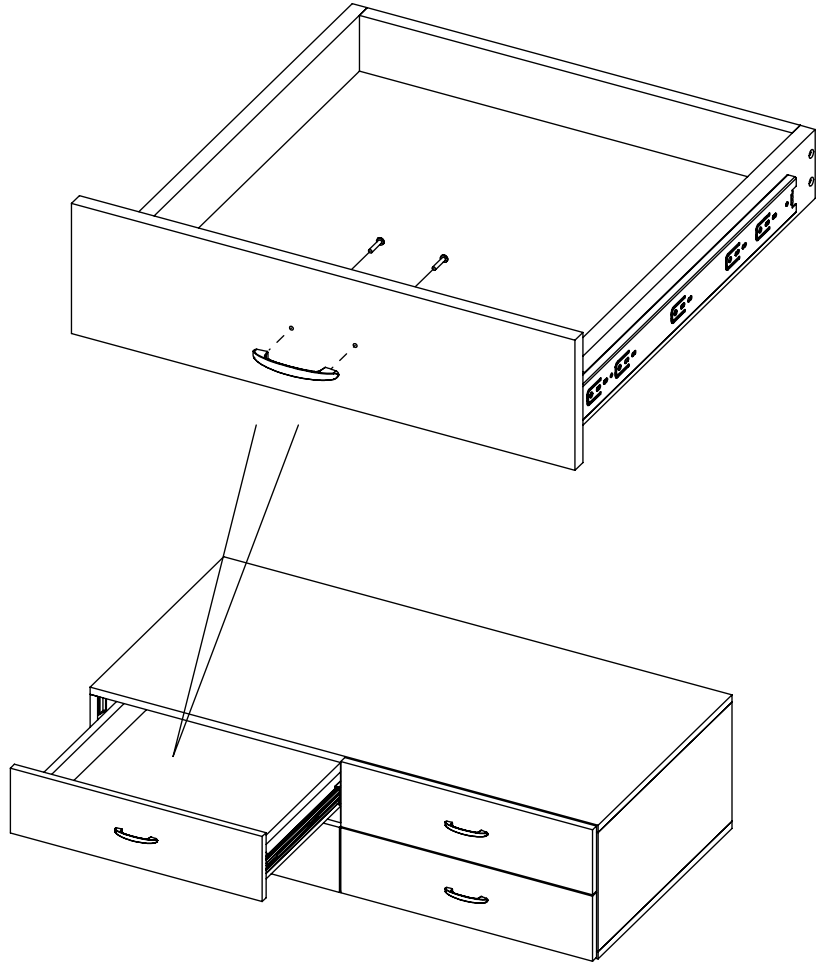


1/4-20 X 1/2" L  
SOCKET HEAD  
CAP SCREWS



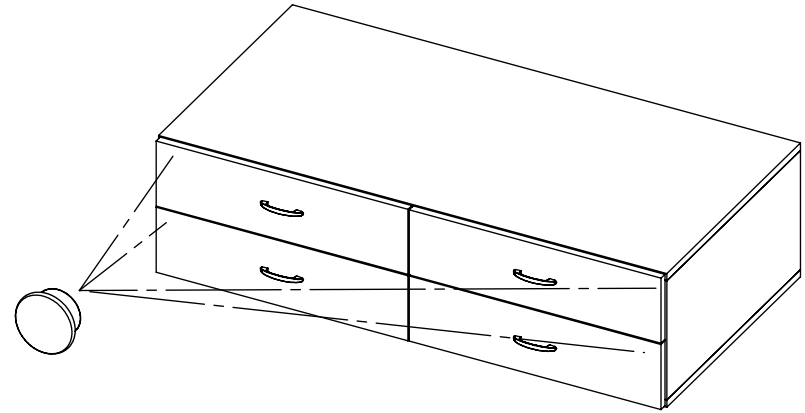
**4**

IF DRAWER HANDLES ARE NOT ALREADY  
INSTALLED, INSTALL THE DRAWER HANDLES.



**5**

USE INCLUDED MAGNET TO OPEN THE  
MAGNETIC LOCKS. THE MAGNETIC LOCKS  
ARE LOCATED ON THE CORNERS OF EACH  
DRAWER.



**6**

IF YOU PREFER KEEP THE DRAWERS  
UNLOCKED AT ALL TIMES, PUSH LEVER  
DOWN ON THE MAGNETIC LOCK.

