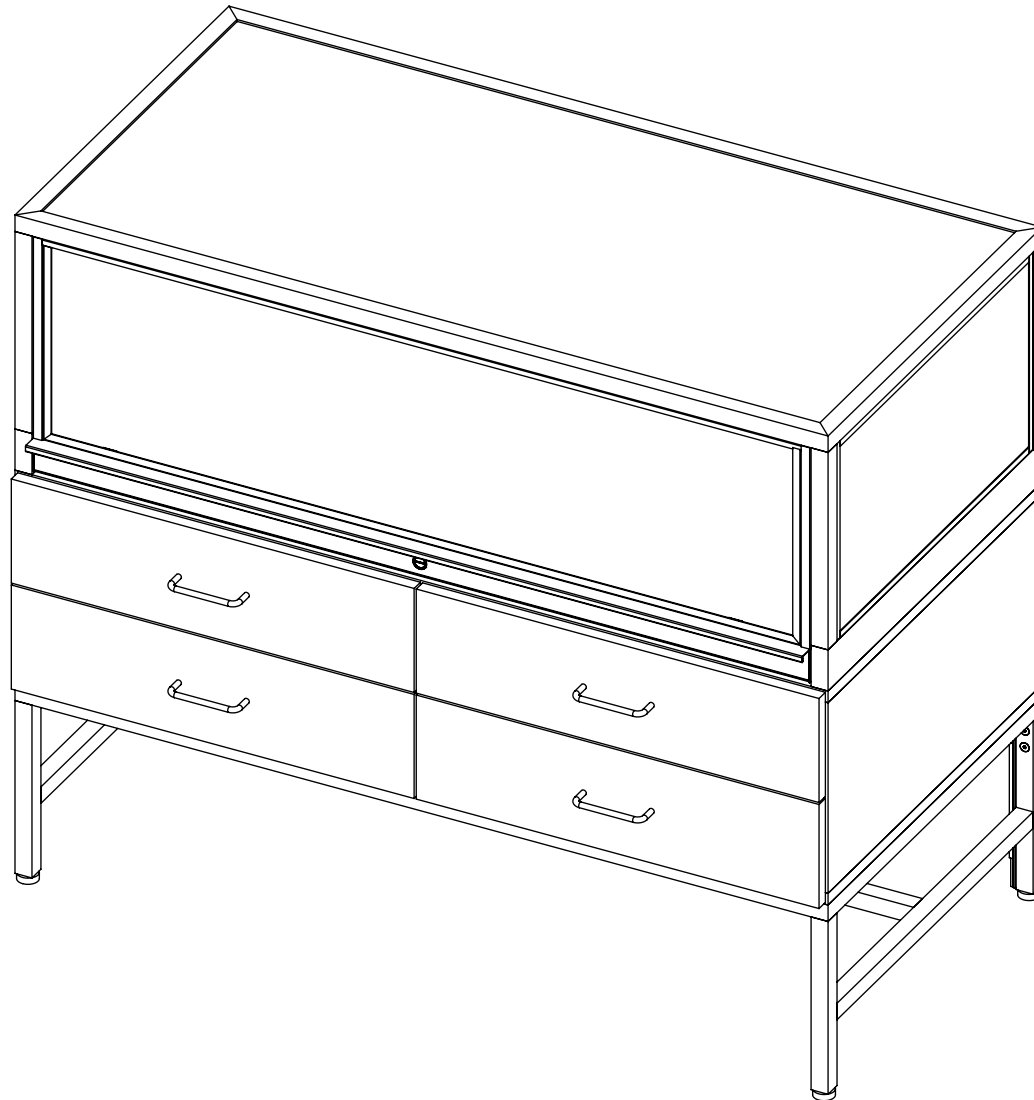


**GLASS SHOWCASE
DISPLAY CABINET WITH
STORAGE**

ITEM # DDKIT1B, DDKIT1W, DDKIT1SC

**(2) PEOPLE NEEDED
FOR ASSEMBLY**



GLASS SHOWCASE

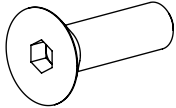
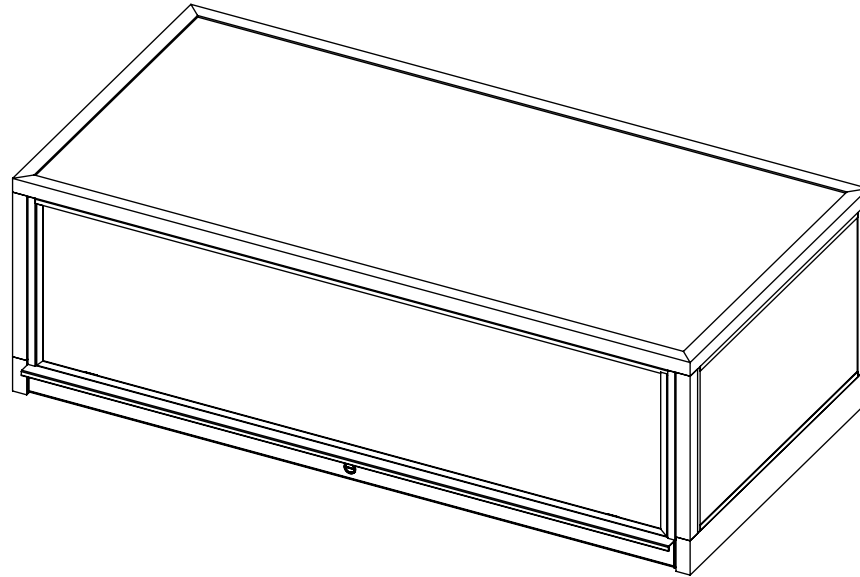
NOTE: SHIPPED UNASSEMBLED

3 CARTONS:

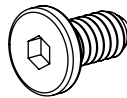
1. (5) GLASS PIECES
2. TOP FRAME WITH LIGHTING
3. BOTTOM FRAME
(INCLUDES FRAME PIECES, POWER SUPPLY MOUNTING BRACKET)

FOR REPLACEMENT PARTS, PLEASE

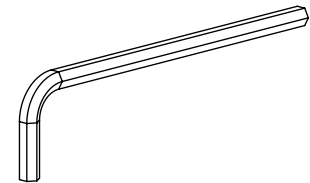
CONTACT: cs@displaydispensary.com



4X
1/4-20 X 0.875" L
CSK SOCKET HEAD
SCREWS



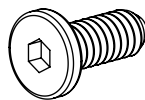
8X
1/4-20 X 0.5" L
FLAT HEAD HEXAGON SOCKET SCREWS
(4) TO SECURE TO STORAGE CABINET
(4) TO SECURE POWER SUPPLY
MOUNTING BRACKET



2X
(1) FOR LARGER SCREWS
(1) FOR SMALLER SCREWS



2X
#8-32 X 0.315" L
SOCKET BUTTON
HEAD SCREWS



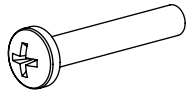
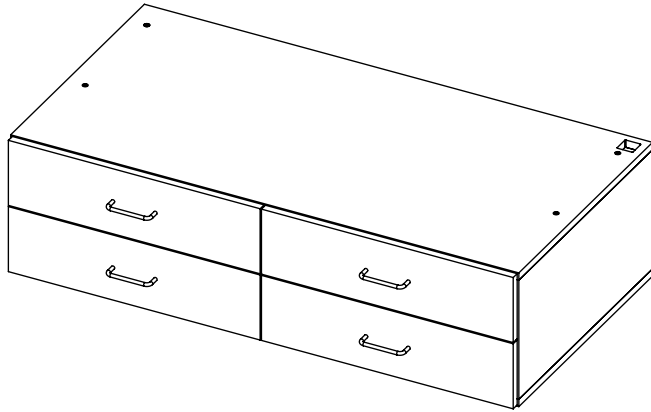
8X
1/4-20 X 0.625" L
FLAT HEAD HEXAGON SOCKET SCREWS
(4) TO SECURE REAR UPRIGHTS
(4) TO SECURE FRONT FRAME

STORAGE CABINET

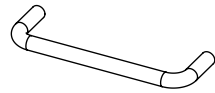
1 CARTON:

- PULL HANDLES
- SCREWS

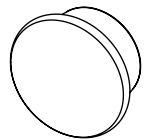
FOR REPLACEMENT PARTS,
PLEASE CONTACT:
cs@displaydispensary.com



8X
#8-32 X 1" L
PAN CROSS HEAD
SCREWS



4X
PULL HANDLE



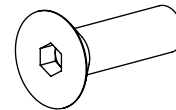
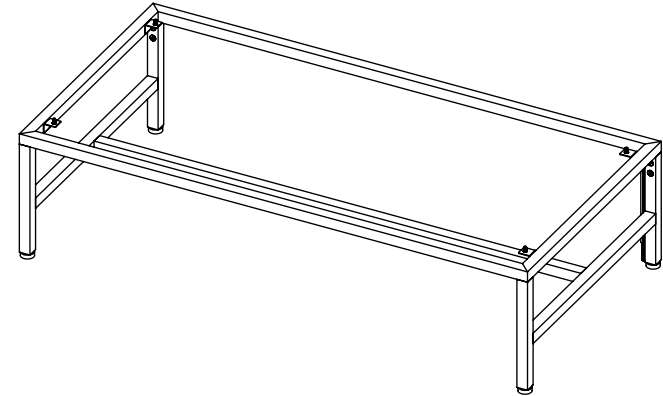
1X
MAGNET

FRAME

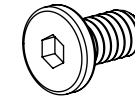
1 CARTON:

- FRAME PIECES
- HARDWARE
- CABLE RACEWAY

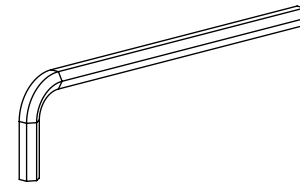
FOR REPLACEMENT PARTS,
PLEASE CONTACT:
cs@displaydispensary.com



12X
1/4-20 X 0.875" L
CSK SOCKET HEAD SCREWS



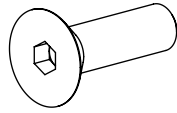
4X
1/4-20 X 0.5" L
FLAT HEAD HEXAGON SOCKET SCREWS
(TO SECURE TO STORAGE CABINET)



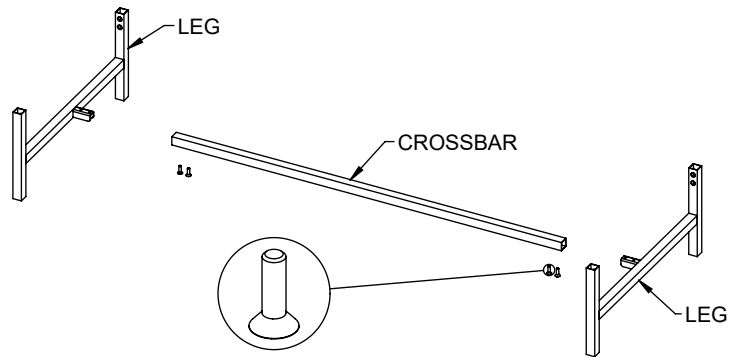
1X
ALLEN KEY

1

MOUNT THE CROSSBAR TO THE LEGS.

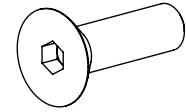


4X
1/4-20 X 0.875" L
CSK SOCKET HEAD SCREWS

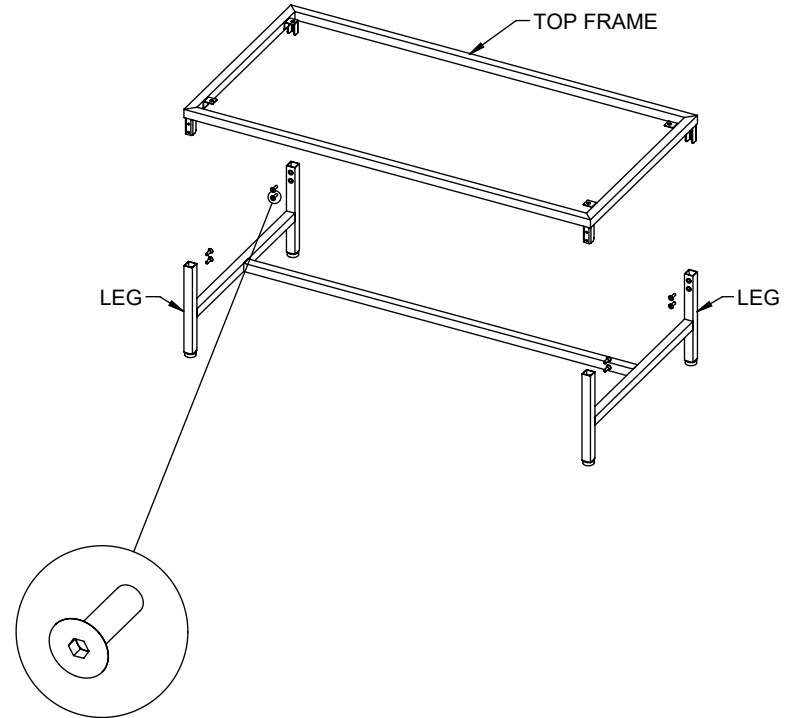


2

MOUNT THE TOP FRAME TO THE LEGS.

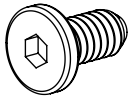


8X
1/4-20 X 0.875" L
CSK SOCKET HEAD SCREWS



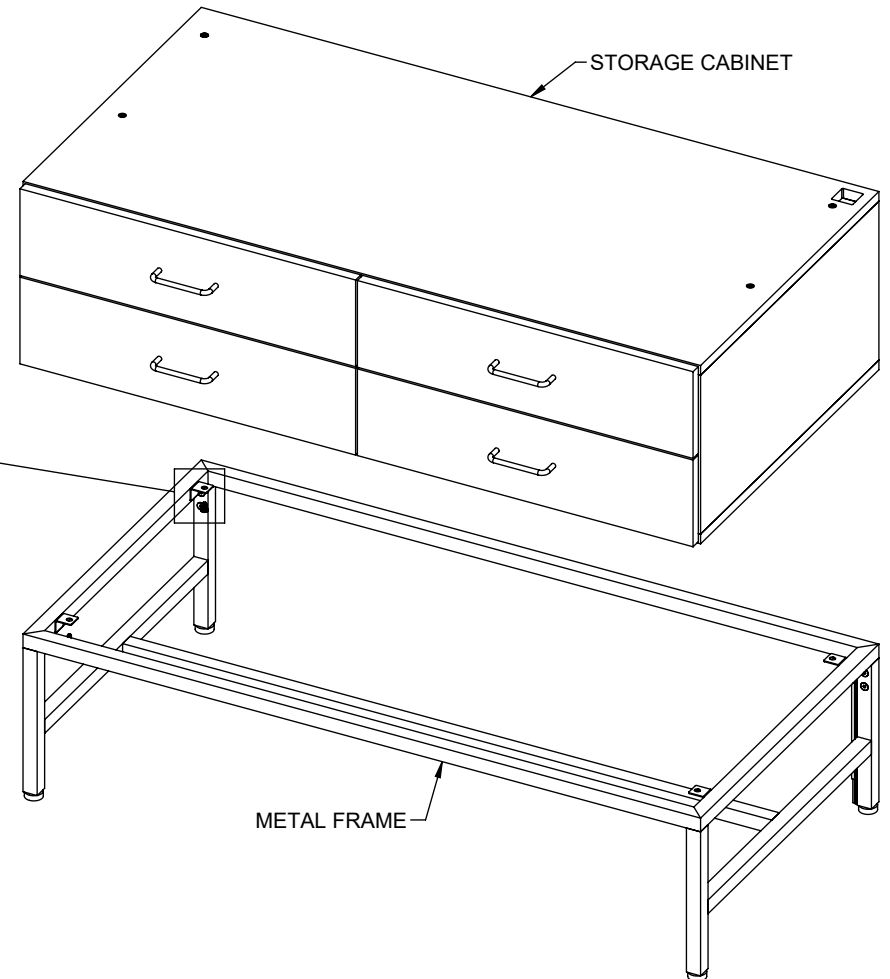
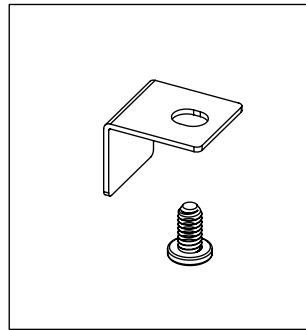
3

MOUNT STORAGE CABINET TO METAL FRAME.



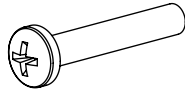
4X

1/4-20 X 0.5" L
FLAT HEAD HEXAGON SOCKET SCREWS
(TO SECURE TO STORAGE CABINET)

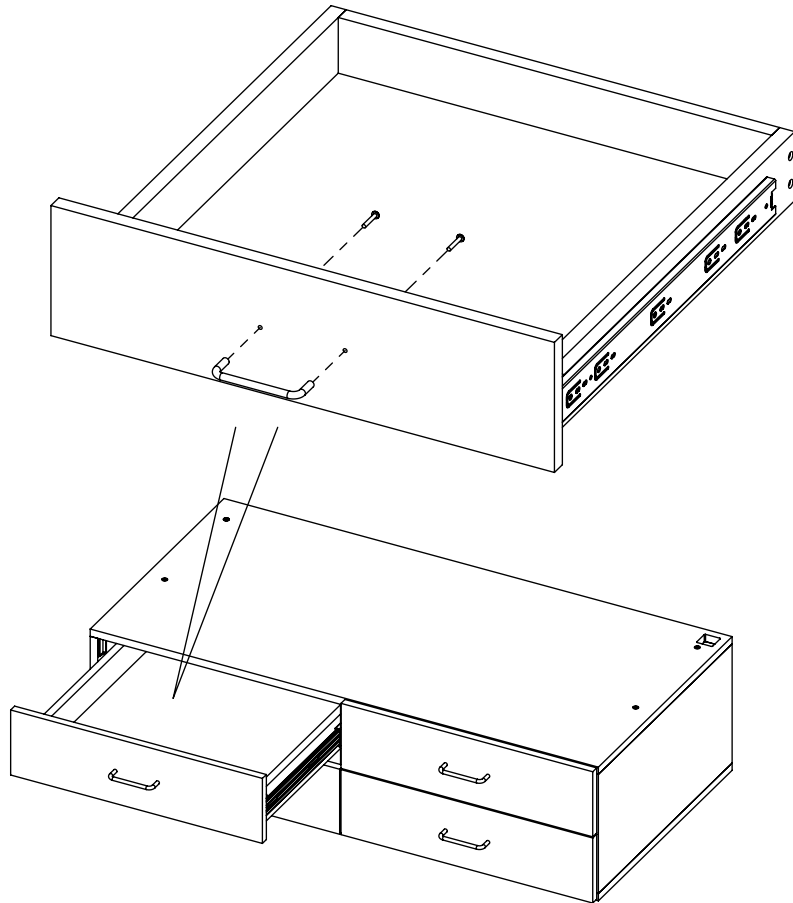


4

IF DRAWER HANDLES ARE NOT ALREADY
INSTALLED, INSTALL THE DRAWER HANDLES.

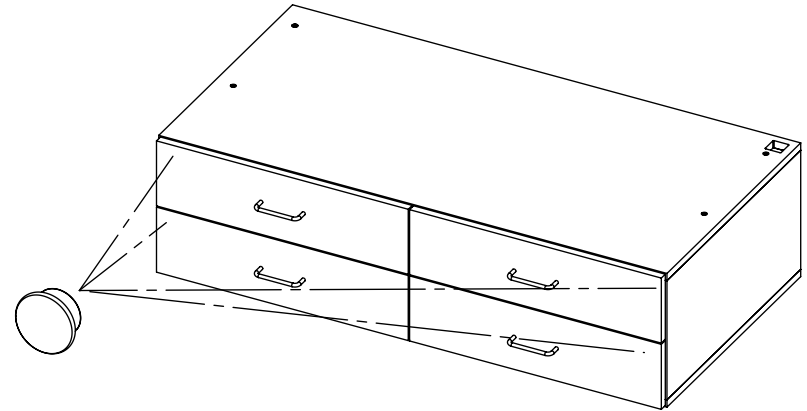


8X
#8-32 X 1" L
PAN CROSS HEAD
SCREWS



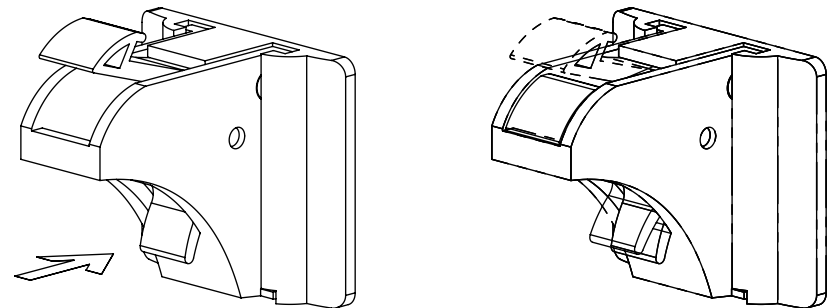
5

USE INCLUDED MAGNET TO OPEN THE
MAGNETIC LOCKS. THE MAGNETIC LOCKS
ARE LOCATED ON THE CORNERS OF EACH
DRAWER.



6

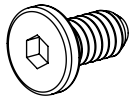
IF YOU PREFER KEEP THE DRAWERS
UNLOCKED AT ALL TIMES, PUSH LEVER
DOWN ON THE MAGNETIC LOCK.



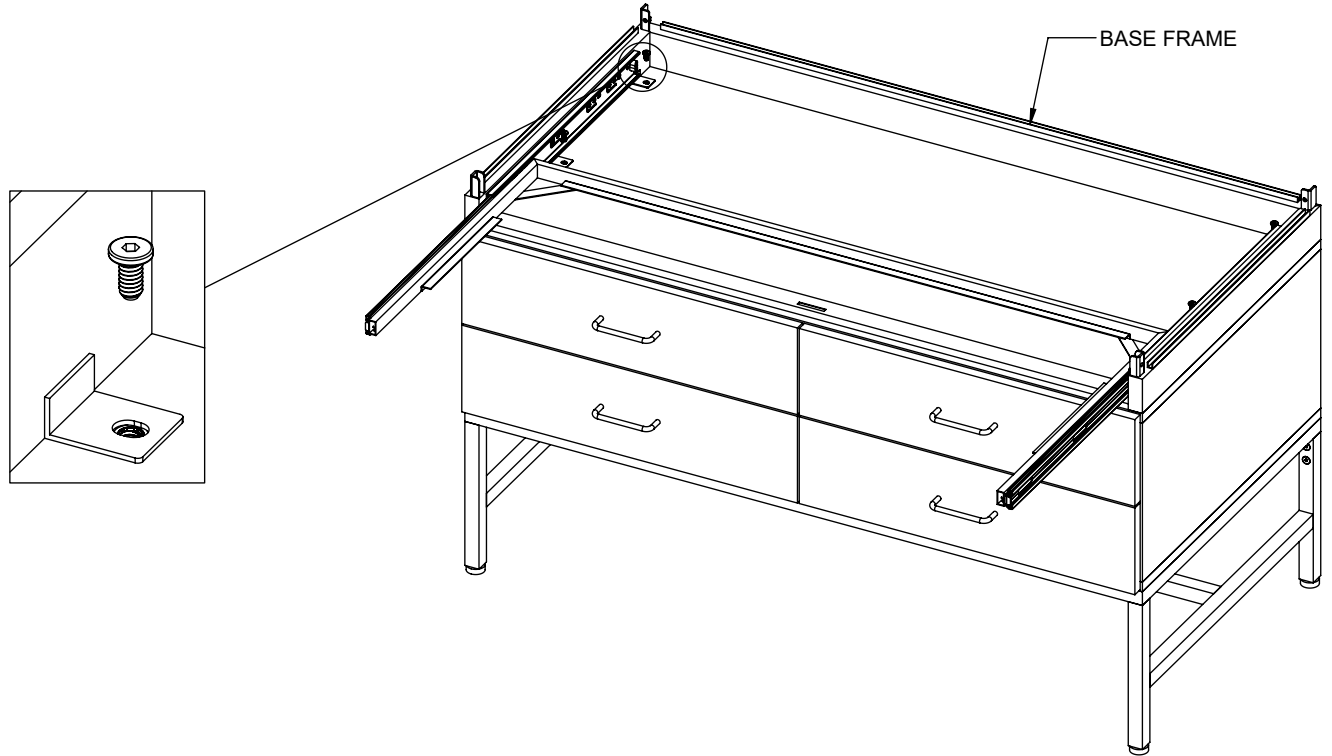
7

MOUNT BASE FRAME TO WOOD CABINET.

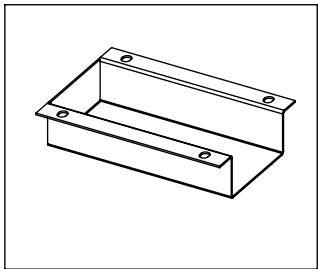
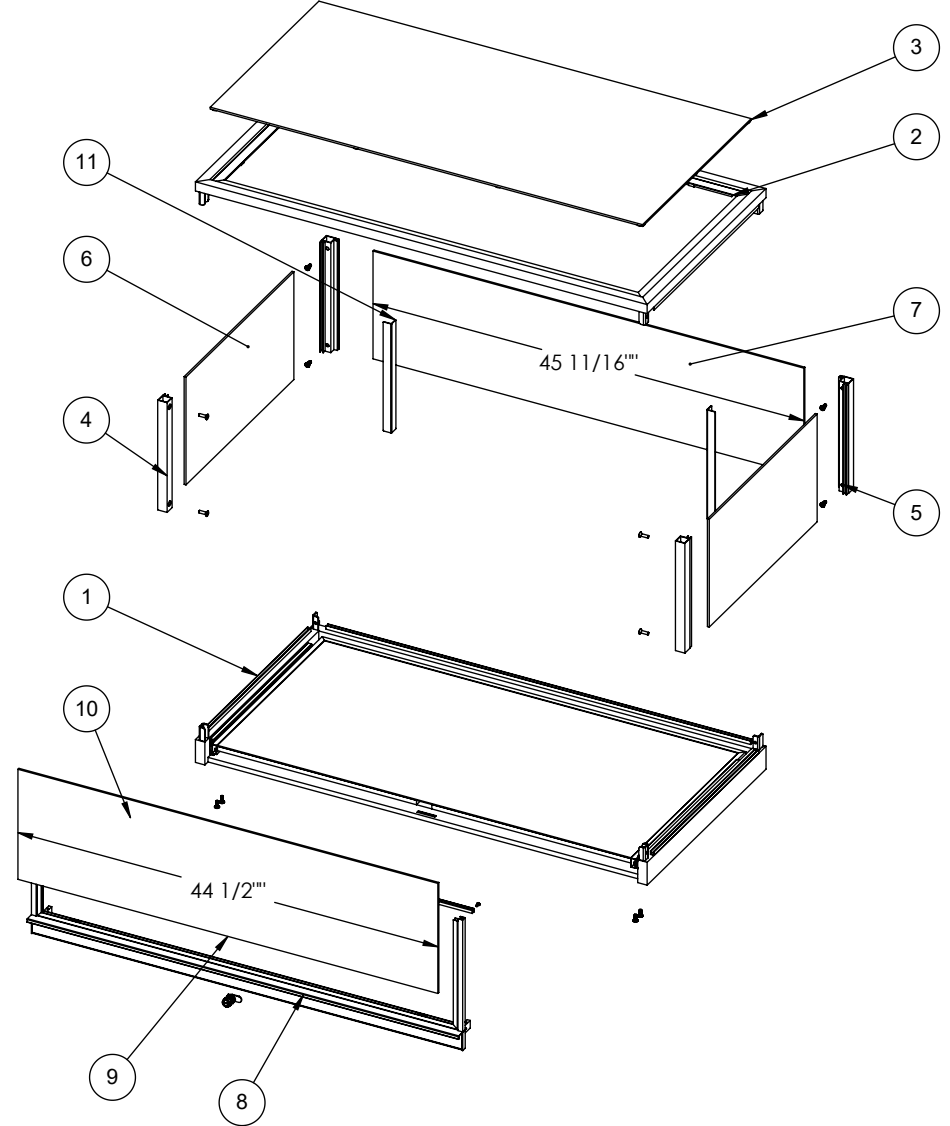
SLIDE THE DRAWER GLIDES TO THE FRONT TO ACCESS L CHANNELS ON THE BASE FRAME.



4X
1/4-20 X 0.5" L
FLAT HEAD HEXAGON SOCKET SCREWS



ITEM NO.	PART NUMBER	DESCRIPTION	QTY.
1	DDSWCASE-1	BASE FRAME	1
2	DDSWCASE-2	TOP FRAME	1
3	DDSWCASE-2-GLASS	TOP GLASS PANEL	1
4	DDSWCASE-3	FRONT UPRIGHT	2
5	DDSWCASE-4	REAR UPRIGHT	2
6	DDSWCASE-5-GLASS	SIDE GLASS PANEL	2
7	DDSWCASE-6-GLASS	REAR GLASS PANEL	1
8	DDSWCASE-7	FRONT FRAME	1
9	DDSWCASE-7-GLASS	FRONT GLASS PANEL	1
10	DDSWCASE-7-GLASS-TOPCHANNEL	TOP CHANNEL	1
11	ELECTRICAL COVER	ELECTRICAL COVER	2



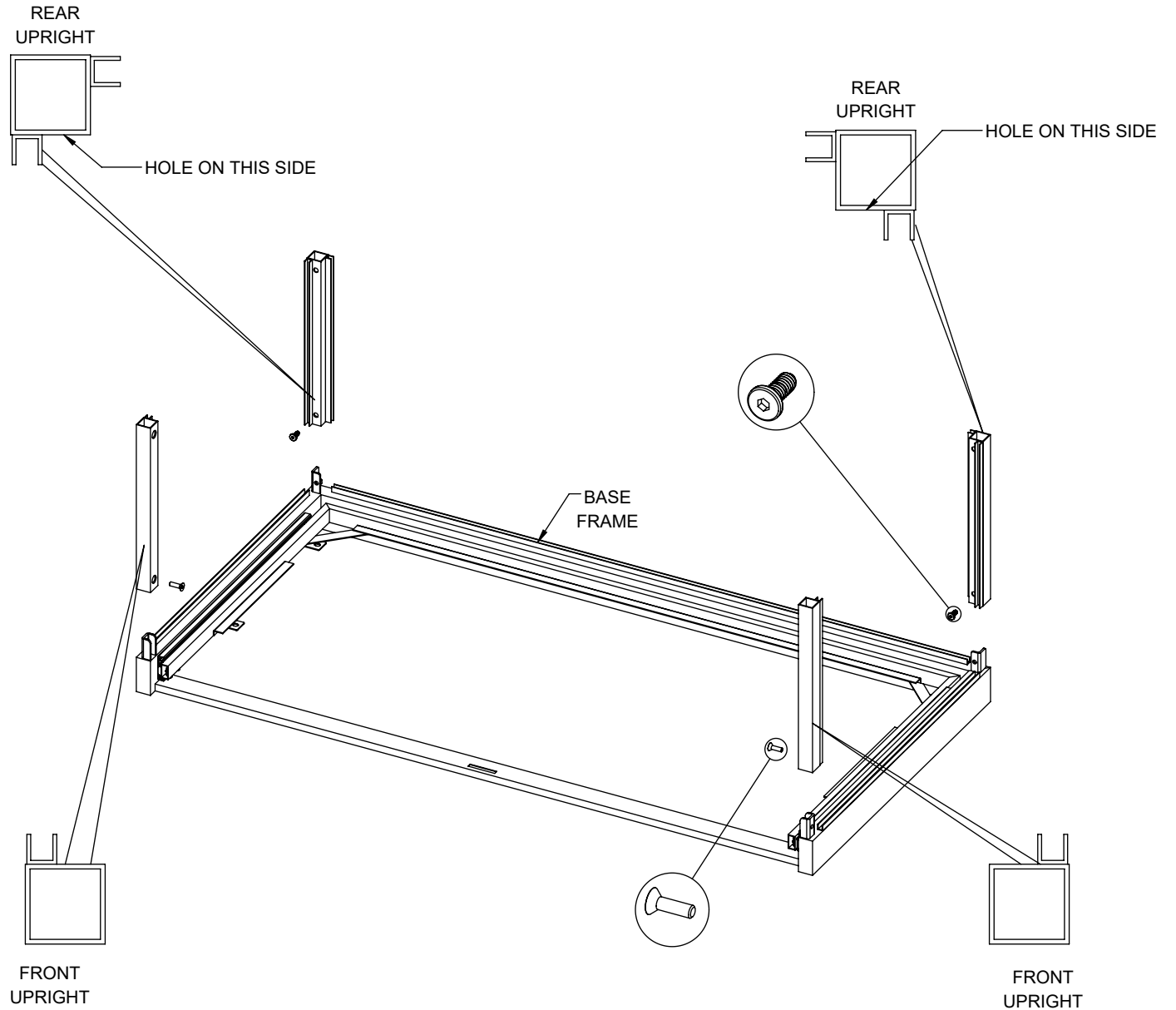
POWER SUPPLY MOUNTING BRACKET

8

MOUNT FRONT UPRIGHTS TO BASE FRAME.

MOUNT REAR UPRIGHTS TO BASE FRAME.

MAKE SURE REAR UPRIGHTS FACE CORRECT DIRECTION. THE U CHANNELS WILL FACE EACH OTHER. ON THE REAR UPRIGHTS, THE HOLES WILL FACE THE FRONT.



2X

1/4-20 X 0.875" L
SOCKET HEAD FLAT HEAD SCREWS
(TO SECURE FRONT UPRIGHTS)

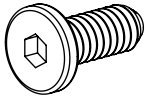
2X

1/4-20 X 0.625" L
FLAT HEAD HEXAGON SOCKET SCREWS
(TO SECURE REAR UPRIGHTS)

9

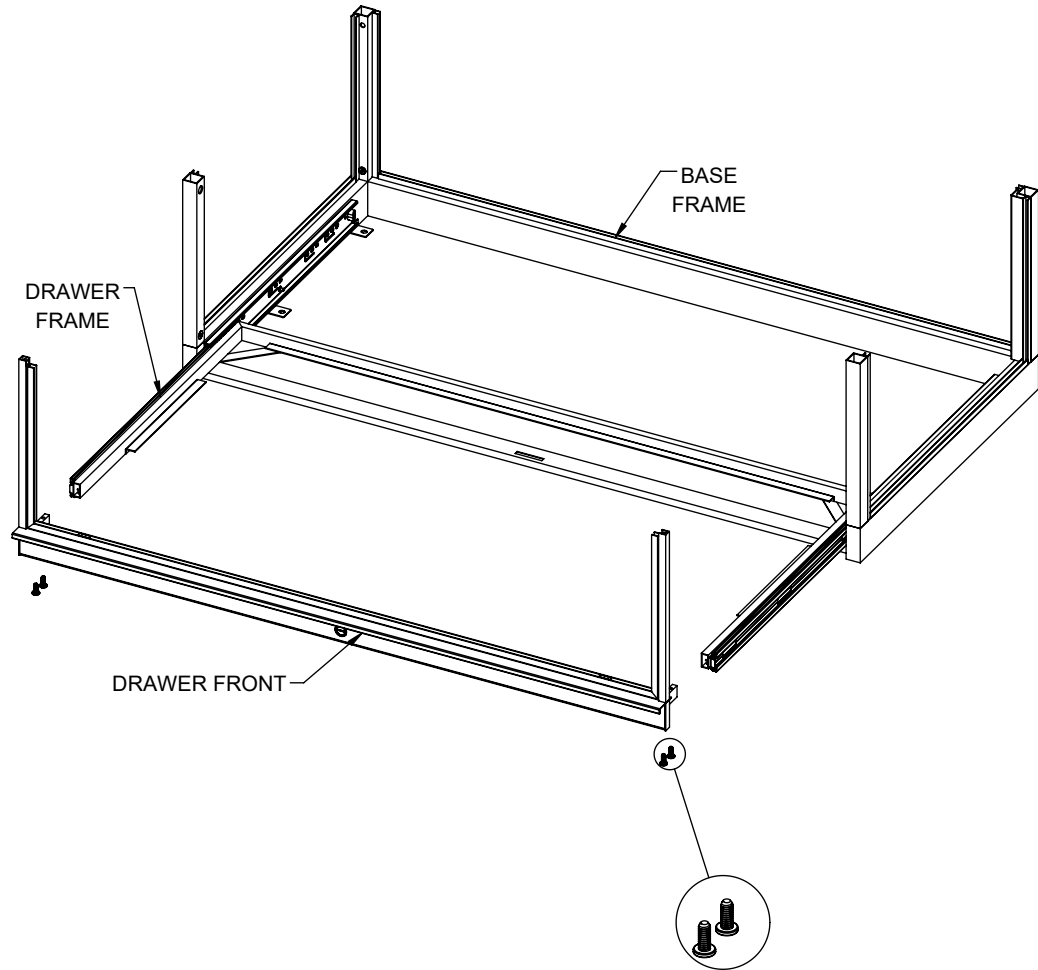
SLIDE DRAWER FRAME ONTO
DRAWER GLIDES (ON BASE FRAME).

MOUNT DRAWER FRONT TO
DRAWER FRAME.



4X

1/4-20 X 0.625" L
FLAT HEAD HEXAGON SOCKET SCREWS
(TO SECURE FRONT FRAME)



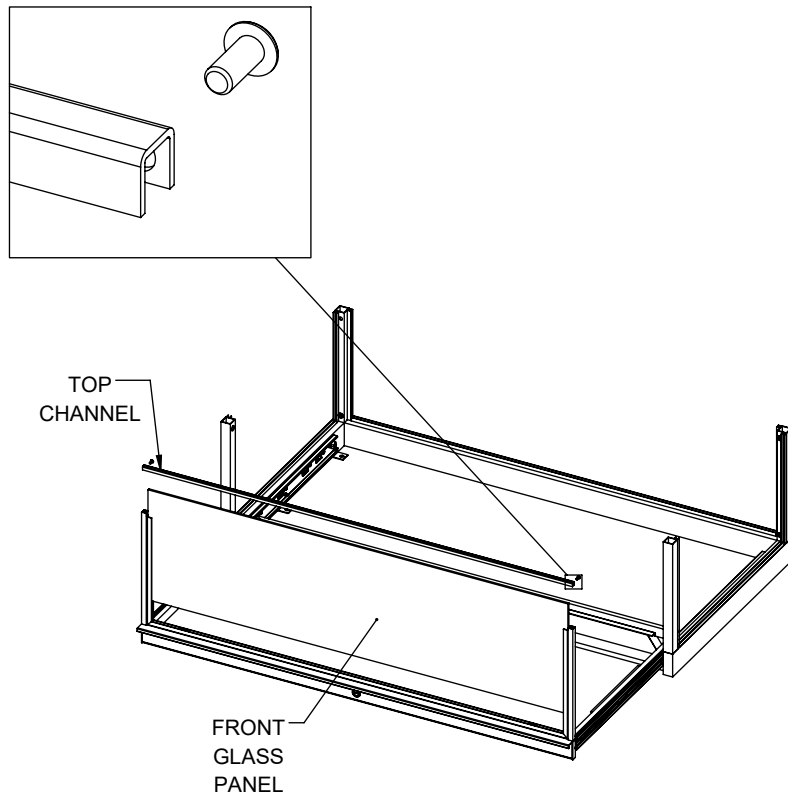
10

SLIDE FRONT GLASS PANEL INTO CHANNELS, AND MOUNT TOP CHANNEL.



2X

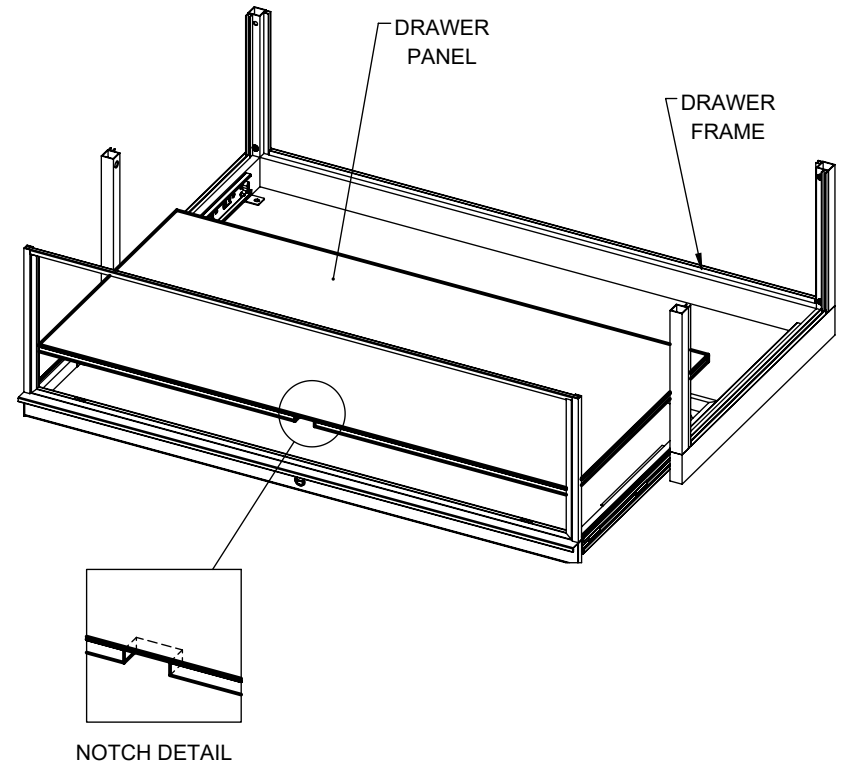
#8-32 X 0.315" L
SOCKET BUTTON HEAD SCREWS



11

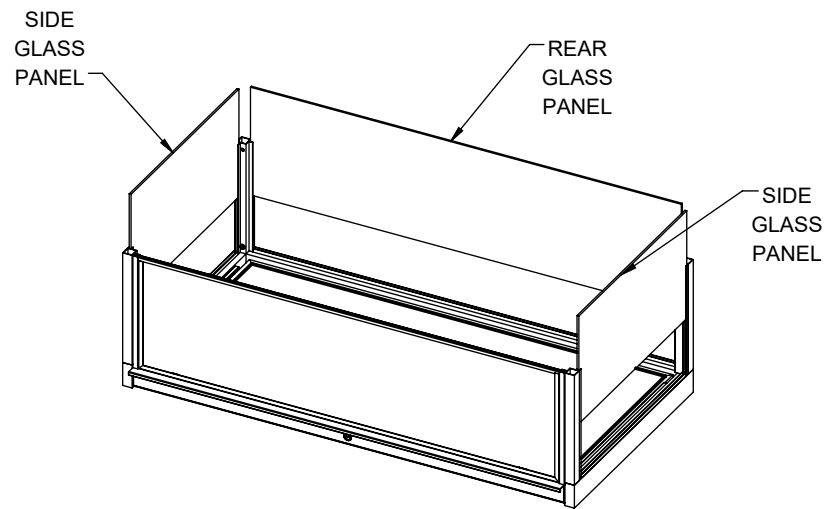
PLACE DRAWER PANEL ONTO DRAWER FRAME.

MAKE SURE THE NOTCH IS IN THE FRONT AND FACING TOWARDS THE BOTTOM.



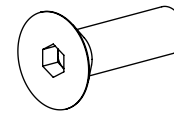
12

SLIDE REAR AND SIDE GLASS PANELS INTO CHANNELS.

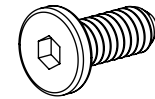


13

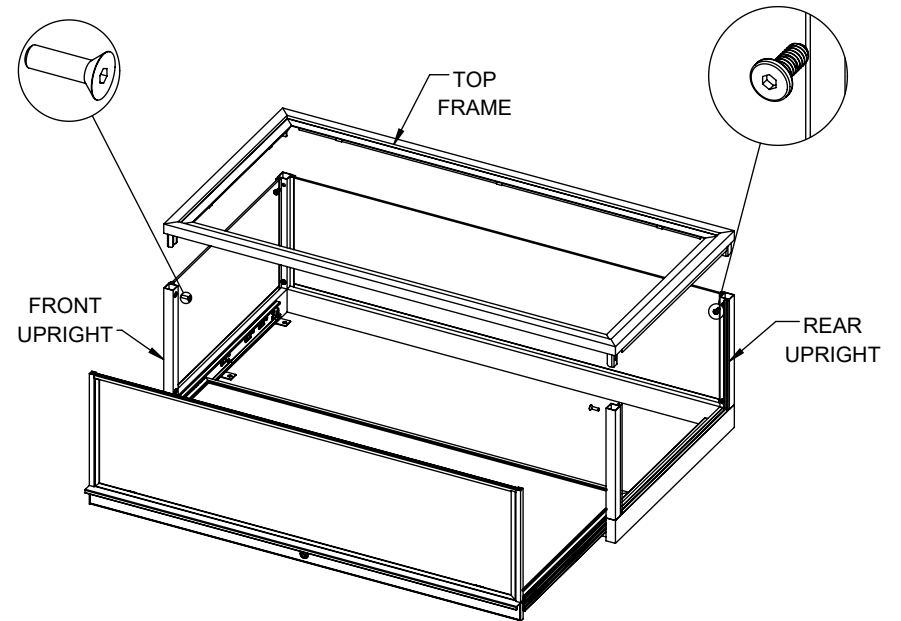
MOUNT TOP FRAME ONTO UPRIGHTS.



2X
1/4-20 X 0.875" L
SOCKET HEAD FLAT HEAD SCREWS
(TO SECURE FRONT UPRIGHTS)



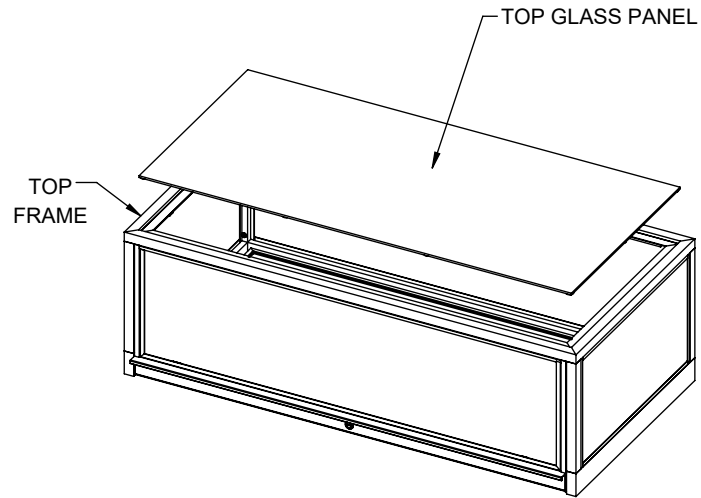
2X
1/4-20 X 0.625" L
FLAT HEAD HEXAGON SOCKET SCREWS
(TO SECURE REAR UPRIGHTS)



14

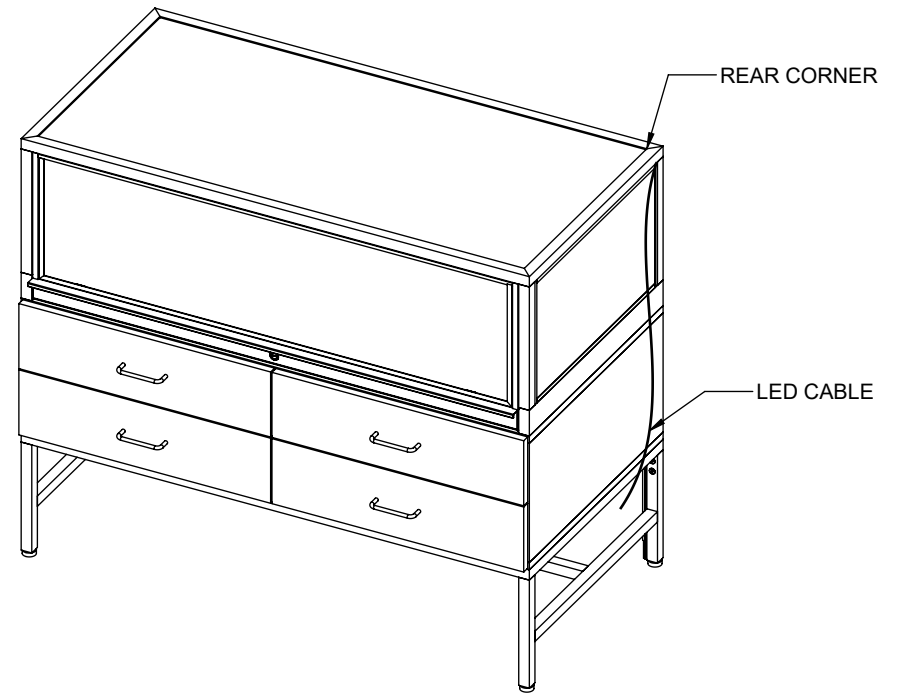
PEEL OFF CIRCULAR STICKERS
ON TOP GLASS PANEL.

PLACE TOP GLASS PANEL ONTO
TOP FRAME.



15

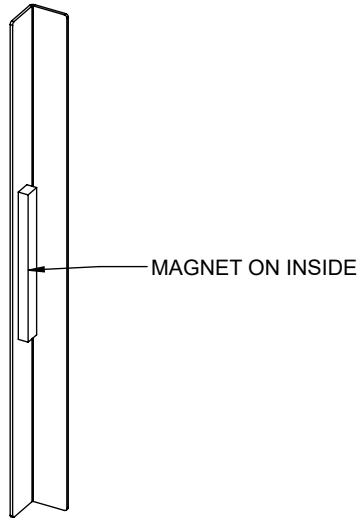
ON REAR CORNER, THERE IS A
LOOSE LED CABLE. GUIDE IT
THROUGH THE HOLE ON TOP OF
THE WOOD CABINET UNTIL THE
LED CABLE COMES OUT ON THE
BOTTOM.



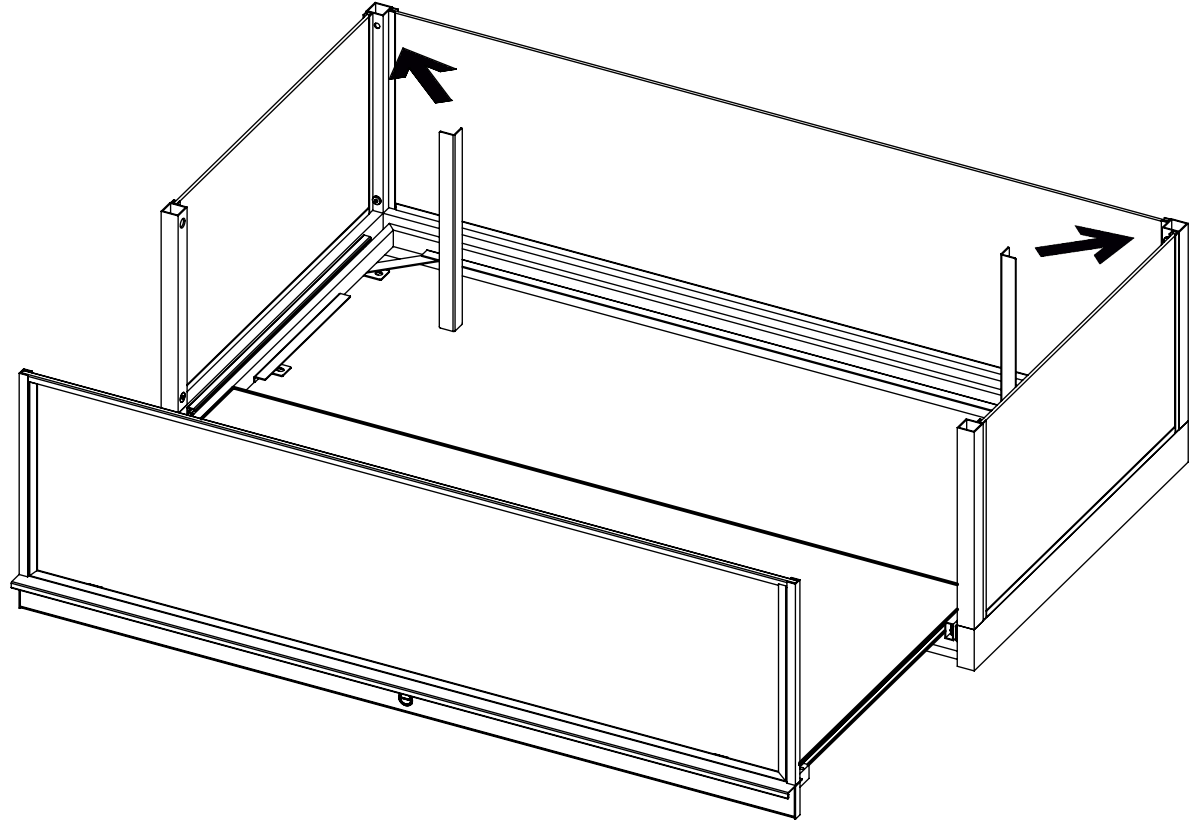
16

PULL OUT THE DRAWER.

CAREFULLY PLACE ELECTRICAL COVERS
ONTO THE REAR UPRIGHTS. THE MAGNET
WILL SNAP ONTO THE TUBING. IF IT
SNAPS TOO QUICKLY, THE MAGNET MAY
DAMAGE THE FINISH.



2X
ELECTRICAL COVER

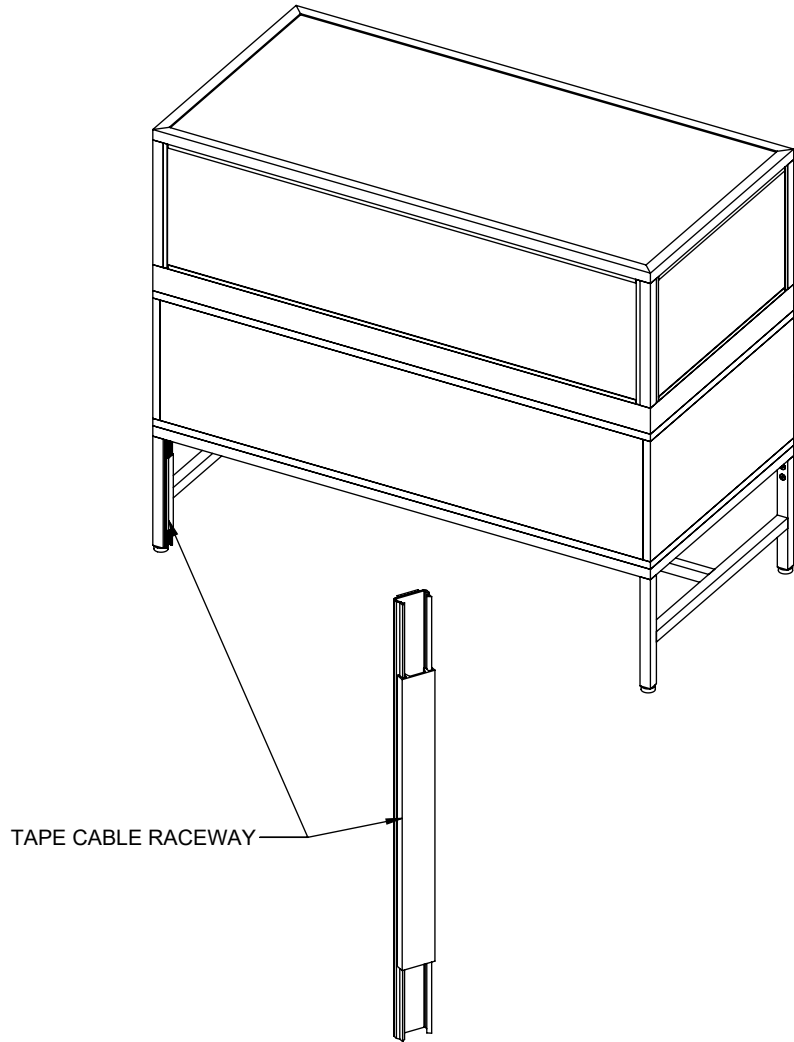


ELECTRICAL INSTALLATION INSTRUCTIONS

1

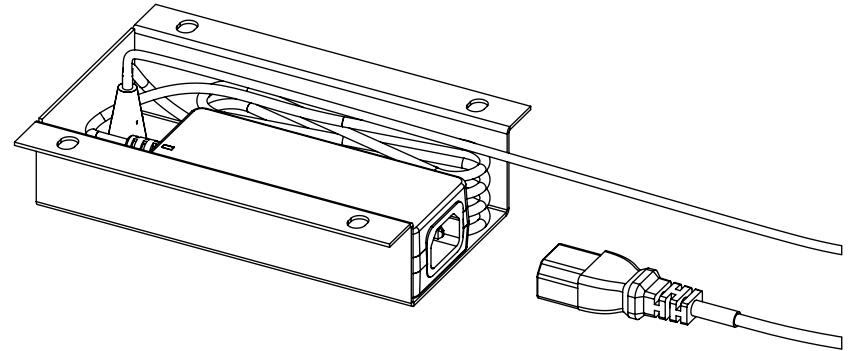
INSTALL CABLE RACEWAY ON LEG.

BACK VIEW



2

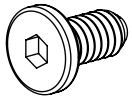
IF NOT ALREADY INSTALLED,
INSERT THE OUTLET PLUG INTO
THE POWER ADAPTER.



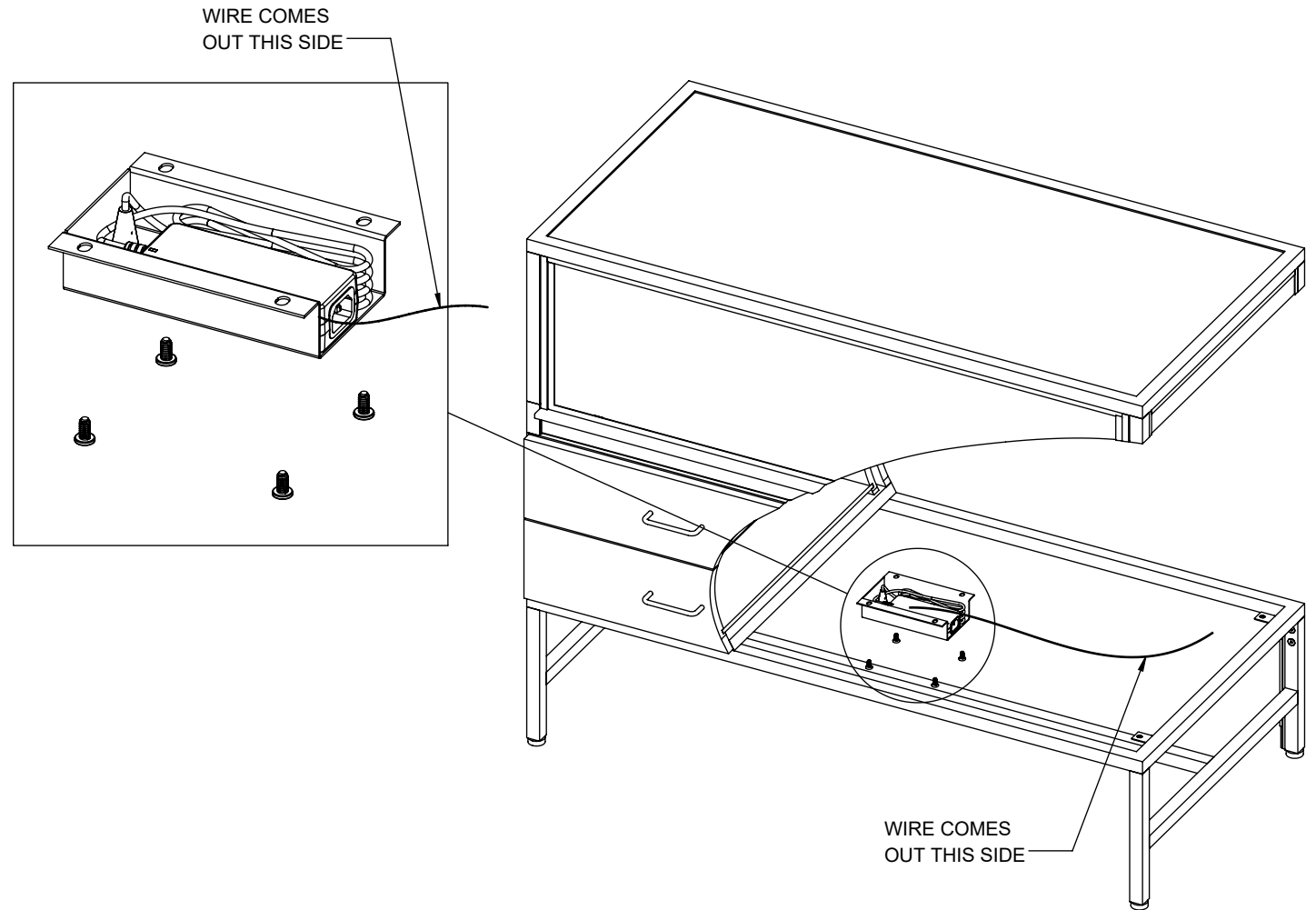
3

MOUNT BOTTOM MOUNTING BRACKET.

ASSURE THAT THE MOUNTING BRACKET
FACES THE CORRECT DIRECTION. THE
WIRE SHOULD COME OUT ON THE RIGHT
SIDE.

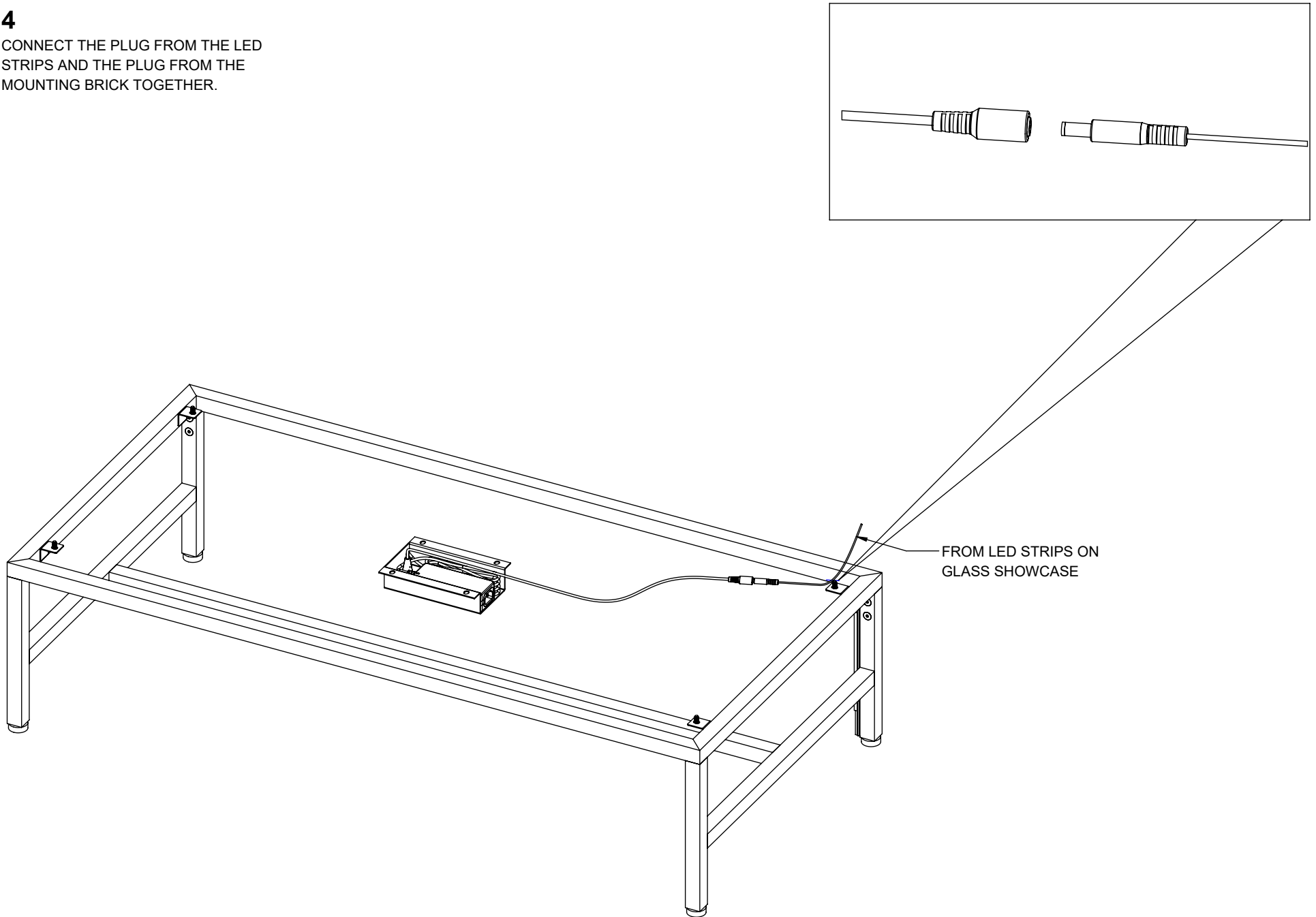


4X
1/4-20 X 0.5" L
FLAT HEAD HEXAGON SOCKET SCREWS



4

CONNECT THE PLUG FROM THE LED STRIPS AND THE PLUG FROM THE MOUNTING BRICK TOGETHER.

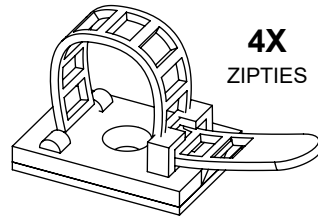


5

PUT THE POWER PLUG CABLE INTO THE WIRE MANAGEMENT EXTRUSION IN THE LEG.

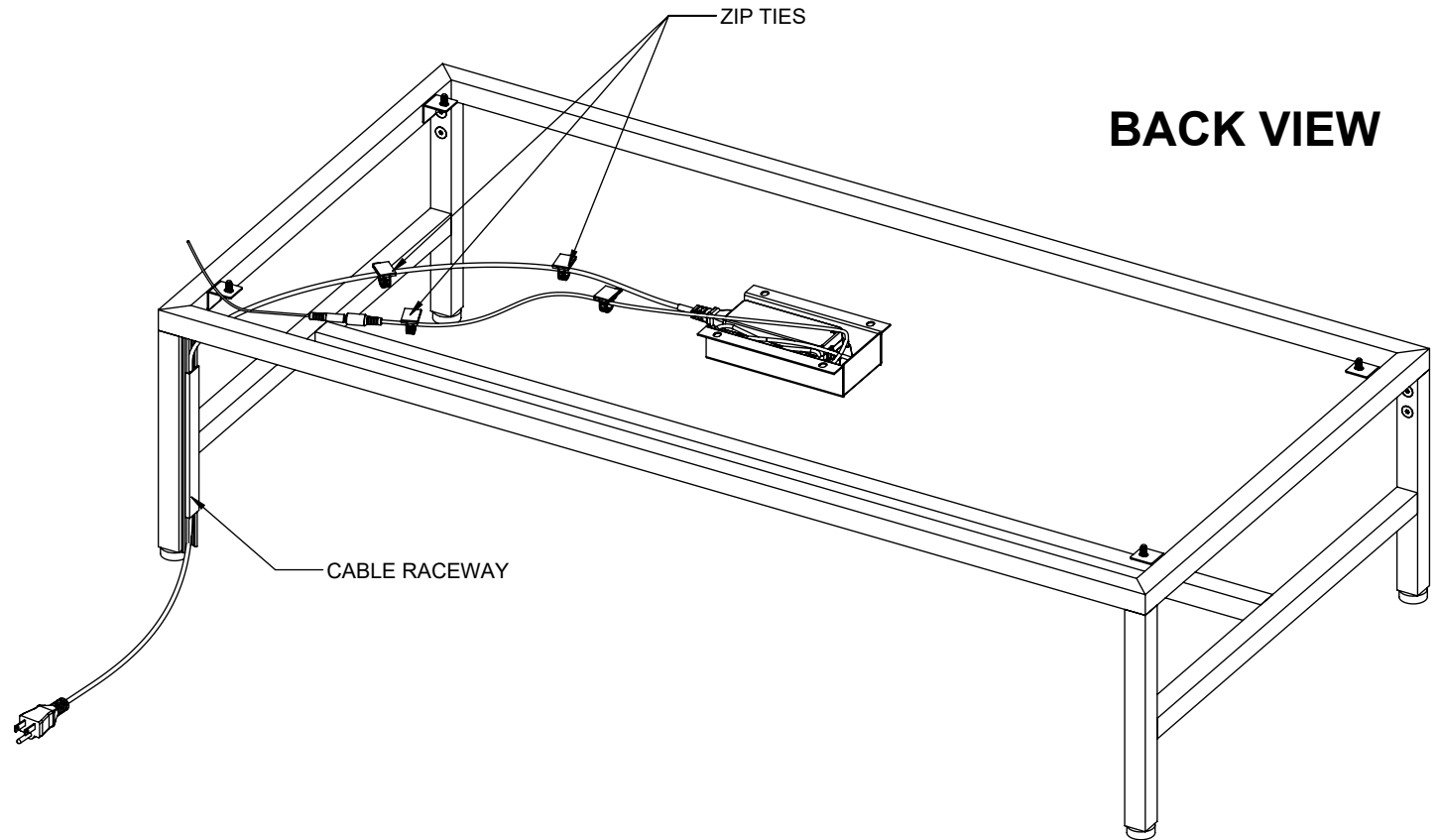
6

SECURE WIRES FROM UNDERSIDE WITH INCLUDED ZIP-TIES. ZIP TIE LOCATIONS SHOWN FOR REFERENCE ONLY. INSTALLER TO DETERMINE BEST PLACEMENT.



7

TOGGLE THE SWITCH ON THE MOUNTING BRACKET TO TURN ON THE LIGHTS ON THE GLASS SHOWCASE.



TROUBLE SHOOTING INSTRUCTIONS

1

CHECK CONNECTION BETWEEN LED LIGHTS AND MOUNTING BRACKET (CONNECTION FROM [STEP 1.](#))

TRY TURNING ON LIGHTS AGAIN. IF LIGHTS DO NOT TURN ON, GO TO NEXT STEP.

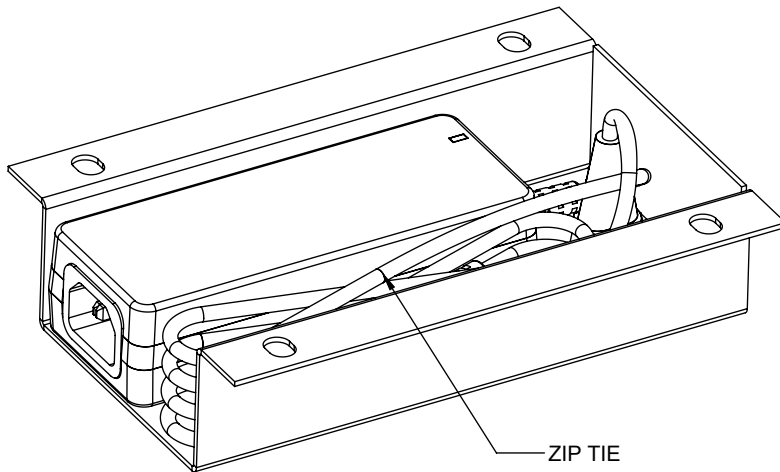
2

CHECK CONNECTION BETWEEN MOUNTING BRICK AND POWER CORD (CONNECTION FROM [STEP 2.](#))

TRY TURNING ON LIGHTS AGAIN. IF LIGHTS DO NOT TURN ON, GO TO NEXT STEP.

3

UNMOUNT MOUNTING BRACKET.
CUT ZIP TIE HOLDING BUNDLE OF WIRES TOGETHER.



4

UNPLUG AND RECONNECT THE POWER ADAPTER TO THE SWITCH.

TRY TURNING ON LIGHTS AGAIN. IF LIGHTS DO NOT TURN ON, PLEASE CONTACT CUSTOMER SERVICE AT cs@displaydispensary.com FOR REPLACEMENT PARTS.

