

**JUMBO 35**

**VACUUM PACKAGING MACHINE**



**FEATURES**

- Standard with 1 seal bar (front): 350 mm
- Standard double seal (two wires).
- Optional without extra costs:  
Cut-off/Wide seal
- Seal bars easily removable for cleaning and maintenance purposes
- Pump capacity: 16 m<sup>3</sup>/h Busch vacuum pump
- Pump maintenance and cleaning program
- Machine cycle: 15-30 sec
- Standard Time control with a 1 program memory
- Deep drawn stainless steel vacuum chamber
- Stainless steel exterior and transparent lid
- Comes with insert plate for a faster cycle and product adjustment

**OPTIONS**

- Sensor control

**ACCESSORIES**

- Inclined insert plate (for packing liquids)
- Food container adaptor
- Service kit for standard maintenance
- Trolley with shelves

**DESCRIPTION**

The robust, stainless steel Jumbo 35 vacuum packaging machine is standard equipped with a Busch vacuum pump and Time control with a 1 program memory. This table-top model complies with CE standards.

**CONFIGURATION DES BARRES**



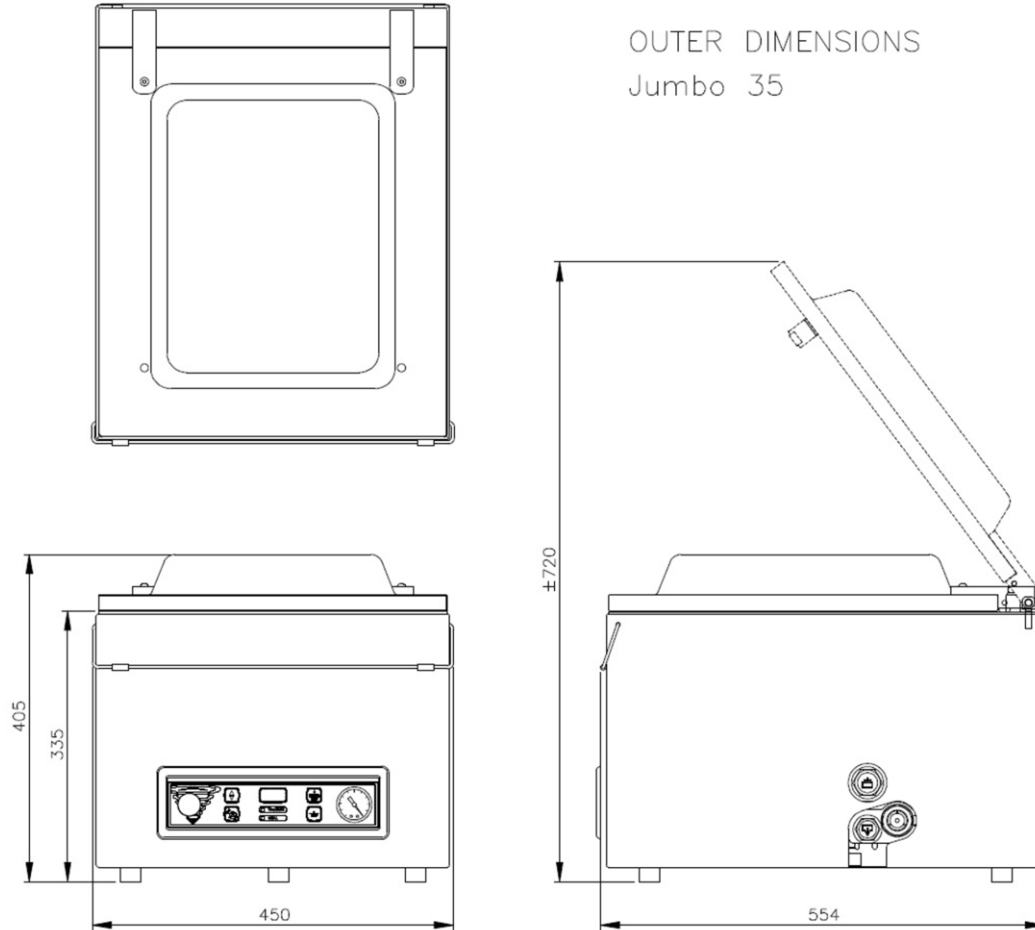
Henkelman offers standard 3 year warranty

# VACUUM PACAGING MACHINE JUMBO 35 – SPECS

VACUUM PACKAGING MACHINE JUMBO 35 – SPEC SHEET

## DIMENSIONS

In mm



| Model    | Dimensions (mm)                        |                      | Voltage*<br>(Hz) | Pump<br>capacity<br>(m <sup>3</sup> /h) | Power<br>(kW) | Weight<br>(kg) |
|----------|--|----------------------|------------------|---|---------------|----------------|
|          | Chamber<br>(usable space)<br>L x W x H | Machine<br>L x W x H |                  |   |               |                |
| Jumbo 35 | 370 x 350 x 150                        | 554 x 450 x 405      | 230V-1-50        | 16                                      | 0,6 kW        | 51             |

\* Other voltages available



**HENKELMAN BV**  
Titaniumlaan 10  
5221 CK 's-Hertogenbosch  
The Netherlands

**Sales support**  
P +31 73 621 36 71  
E [info@henkelman.com](mailto:info@henkelman.com)  
**Service/technical support**  
P +31 73 621 36 71  
E [service@henkelman.com](mailto:service@henkelman.com)