



JOB:  
ITEM:  
QTY:



# BOAT RACKS

## APPLICATION:

These lightweight designed boat racks are designed to hold food boat trays and other food preparation materials.

## MATERIAL:

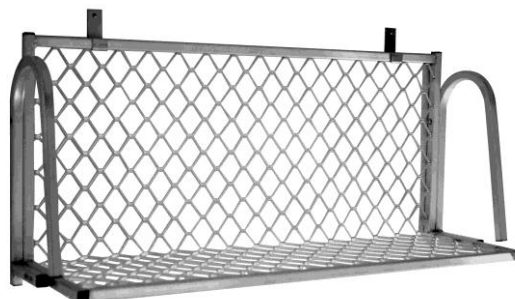
Framework is constructed out of 1"x1"x.070" wall tubing. The back and base is constructed out of aluminum Ampli-Mesh.

## GUARANTEE:

These racks carry a **Lifetime Guarantee** against rust and corrosion and also carry a **Five-Year Guarantee** against workmanship and material defects.



**Ceiling Mount "L"**

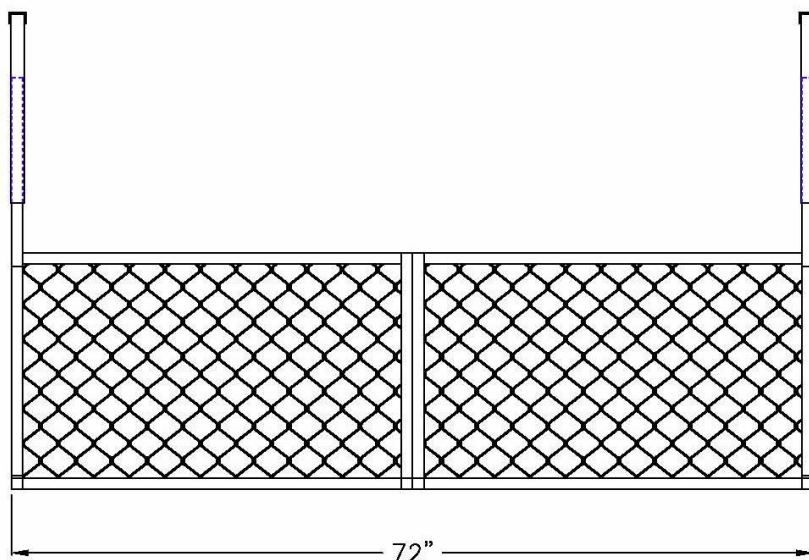
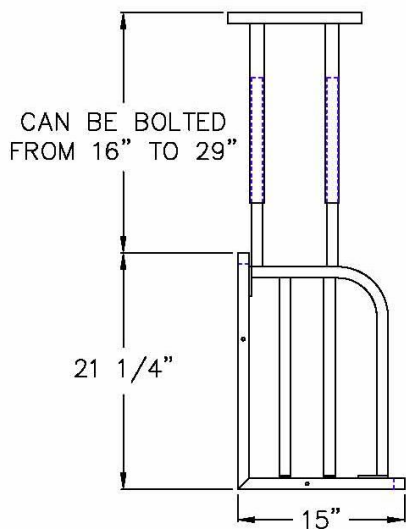


**Wall Mount "L"**



Phone:800-255-0104  
Fax: 877-877-7687  
[www.newageindustrial.com](http://www.newageindustrial.com)  
[sales@newageindustrial.com](mailto:sales@newageindustrial.com)

New Age Industrial reserves the right to modify or make changes at any time without notice to materials and specifications.



**Model #1373CL**

Model No.	Size-D	Size-L
<b>Table Mount Boat Rack</b>		
120T	15"	36"
1371T	15"	48"
1372T	15"	60"
1373T	15"	72"
1374T	15"	96"
1375T	15"	120"
<b>Wall Mount Boat Rack</b>		
120W	15"	36"
1371W	15"	48"
1372W	15"	60"
1373W	15"	72"
1374W	15"	96"
1375W	15"	120"
<b>Ceiling Mount Boat Rack-"L" Type</b>		
1373CL	15"	72"
1374CL	15"	96"
<b>Ceiling Mount Boat Rack-"T" Type</b>		
1373CT	15"	72"
1374CT	15"	96"



Phone: 800-255-0104  
 Fax: 877-877-7687  
[www.newageindustrial.com](http://www.newageindustrial.com)  
[sales@newageindustrial.com](mailto:sales@newageindustrial.com)

New Age Industrial reserves the right to modify or make changes at any time without notice to materials and specifications.